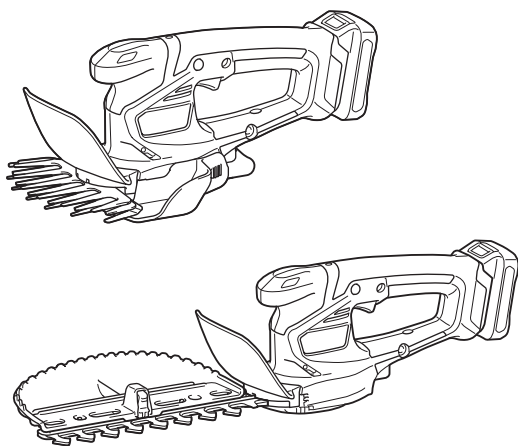


INSTRUCTION MANUAL  
MANUEL D'INSTRUCTION  
MANUAL DE INSTRUCCIONES



**Cordless Grass Shear /  
Cordless Hedge Trimmer  
Taille-Herbes sans Fil /  
Taille-haie sans fil  
Tijeras Inalámbricas para Hierba /  
Cortasetos Inalámbrico**

**UM600D / UH201D**



**IMPORTANT:** Read Before Using.

**IMPORTANT :** Lire avant usage.

**IMPORTANTE:** Lea antes de usar.

## SPECIFICATIONS

### UM600D with shear blade for grass shear installed

Model:	UM600D
Cutting width	160 mm (6-5/16")
Strokes per minute	2,500/min
Dimensions (L x W x H)	347 mm x 177 mm x 131 mm (13-5/8" x 7" x 5-1/8")
Rated voltage	D.C. 10.8 V - 12 V max
Net weight	1.3 - 1.5 kg (2.8 - 3.3 lbs)

### UH201D with shear blade for hedge trimmer installed

Model:	UH201D
Blade length	200 mm (7-7/8")
Strokes per minute	2,500/min
Dimensions (L x W x H)	504 mm x 120 mm x 131 mm (19-7/8" x 4-3/4" x 5-1/8")
Rated voltage	D.C. 10.8 V - 12 V max
Net weight	1.3 - 1.5 kg (2.8 - 3.3 lbs)

- Due to our continuing program of research and development, the specifications herein are subject to change without notice.
- Specifications may differ from country to country.
- The weight may differ depending on the attachment(s), including the battery cartridge. The lightest and heaviest combinations, according to EPTA-Procedure 01/2014, are shown in the table.

### Applicable battery cartridge and charger

Battery cartridge	BL1016 / BL1021B / BL1041B
Charger	DC10SB / DC10WD / DC18RE

- Some of the battery cartridges and chargers listed above may not be available depending on your region of residence.

**⚠ WARNING:** Only use the battery cartridges and chargers listed above. Use of any other battery cartridges and chargers may cause injury and/or fire.

## SAFETY WARNINGS

### General power tool safety warnings

**⚠ WARNING:** Read all safety warnings and all instructions. Failure to follow the warnings and instructions may result in electric shock, fire and/or serious injury.

### Save all warnings and instructions for future reference.

The term "power tool" in the warnings refers to your mains-operated (corded) power tool or battery-operated (cordless) power tool.

#### Work area safety

1. **Keep work area clean and well lit.** Cluttered or dark areas invite accidents.

2. **Do not operate power tools in explosive atmospheres, such as in the presence of flammable liquids, gases or dust.** Power tools create sparks which may ignite the dust or fumes.
3. **Keep children and bystanders away while operating a power tool.** Distractions can cause you to lose control.

#### Electrical safety

1. **Power tool plugs must match the outlet. Never modify the plug in any way. Do not use any adapter plugs with earthed (grounded) power tools.** Unmodified plugs and matching outlets will reduce risk of electric shock.
2. **Avoid body contact with earthed or grounded surfaces, such as pipes, radiators, ranges and refrigerators.** There is an increased risk of electric shock if your body is earthed or grounded.
3. **Do not expose power tools to rain or wet conditions.** Water entering a power tool will increase the risk of electric shock.

4. **Do not abuse the cord. Never use the cord for carrying, pulling or unplugging the power tool. Keep cord away from heat, oil, sharp edges or moving parts.** Damaged or entangled cords increase the risk of electric shock.
5. **When operating a power tool outdoors, use an extension cord suitable for outdoor use.** Use of a cord suitable for outdoor use reduces the risk of electric shock.
6. **If operating a power tool in a damp location is unavoidable, use a ground fault circuit interrupter (GFCI) protected supply.** Use of a GFCI reduces the risk of electric shock.
5. **Maintain power tools. Check for misalignment or binding of moving parts, breakage of parts and any other condition that may affect the power tool's operation. If damaged, have the power tool repaired before use.** Many accidents are caused by poorly maintained power tools.
6. **Keep cutting tools sharp and clean.** Properly maintained cutting tools with sharp cutting edges are less likely to bind and are easier to control.
7. **Use the power tool, accessories and tool bits etc. in accordance with these instructions, taking into account the working conditions and the work to be performed.** Use of the power tool for operations different from those intended could result in a hazardous situation.

#### Personal safety

1. **Stay alert, watch what you are doing and use common sense when operating a power tool. Do not use a power tool while you are tired or under the influence of drugs, alcohol or medication.** A moment of inattention while operating power tools may result in serious personal injury.
2. **Use personal protective equipment. Always wear eye protection.** Protective equipment such as a dust mask, non-skid safety shoes, hard hat or hearing protection used for appropriate conditions will reduce personal injuries.
3. **Prevent unintentional starting. Ensure the switch is in the off-position before connecting to power source and/or battery pack, picking up or carrying the tool.** Carrying power tools with your finger on the switch or energising power tools that have the switch on invites accidents.
4. **Remove any adjusting key or wrench before turning the power tool on.** A wrench or a key left attached to a rotating part of the power tool may result in personal injury.
5. **Do not overreach. Keep proper footing and balance at all times.** This enables better control of the power tool in unexpected situations.
6. **Dress properly. Do not wear loose clothing or jewellery. Keep your hair, clothing, and gloves away from moving parts.** Loose clothes, jewellery or long hair can be caught in moving parts.
7. **If devices are provided for the connection of dust extraction and collection facilities, ensure these are connected and properly used.** Use of dust collection can reduce dust-related hazards.

#### Power tool use and care

1. **Do not force the power tool. Use the correct power tool for your application.** The correct power tool will do the job better and safer at the rate for which it was designed.
2. **Do not use the power tool if the switch does not turn it on and off.** Any power tool that cannot be controlled with the switch is dangerous and must be repaired.
3. **Disconnect the plug from the power source and/or the battery pack from the power tool before making any adjustments, changing accessories, or storing power tools.** Such preventive safety measures reduce the risk of starting the power tool accidentally.
4. **Store idle power tools out of the reach of children and do not allow persons unfamiliar with the power tool or these instructions to operate the power tool.** Power tools are dangerous in the hands of untrained users.

#### Battery tool use and care

1. **Recharge only with the charger specified by the manufacturer.** A charger that is suitable for one type of battery pack may create a risk of fire when used with another battery pack.
2. **Use power tools only with specifically designated battery packs.** Use of any other battery packs may create a risk of injury and fire.
3. **When battery pack is not in use, keep it away from other metal objects, like paper clips, coins, keys, nails, screws or other small metal objects, that can make a connection from one terminal to another.** Shorting the battery terminals together may cause burns or a fire.
4. **Under abusive conditions, liquid may be ejected from the battery; avoid contact. If contact accidentally occurs, flush with water. If liquid contacts eyes, additionally seek medical help.** Liquid ejected from the battery may cause irritation or burns.
5. **Do not use a battery pack or tool that is damaged or modified.** Damaged or modified batteries may exhibit unpredictable behaviour resulting in fire, explosion or risk of injury.
6. **Do not expose a battery pack or tool to fire or excessive temperature.** Exposure to fire or temperature above 130 °C may cause explosion.
7. **Follow all charging instructions and do not charge the battery pack or tool outside the temperature range specified in the instructions.** Charging improperly or at temperatures outside the specified range may damage the battery and increase the risk of fire.

#### Service

1. **Have your power tool serviced by a qualified repair person using only identical replacement parts.** This will ensure that the safety of the power tool is maintained.
2. **Follow instruction for lubricating and changing accessories.**
3. **Keep handles dry, clean and free from oil and grease.**
4. **Do not modify or attempt to repair the appliance or the battery pack except as indicated in the instructions for use and care.**

## Cordless Grass Shear Safety Warnings

**⚠️ WARNING:** When using electric gardening appliances, basic safety precautions should always be followed to reduce the risk of fire, electric shock, and personal injury, including the following:

### READ ALL INSTRUCTIONS.

- 1. Be aware that this appliance is always in an operating condition, because it does not have to be plugged into an electrical outlet.**
- 2. Do not operate appliances in explosive atmospheres, such as in the presence of flammable liquids, gases, or dust.** Appliances create sparks which may ignite the dust or fumes.
- 3. Avoid dangerous environment** - Do not use appliances in damp or wet locations.
- 4. Do not use or charge appliance in rain, or in wet locations.**
- 5. Keep children away** - All visitors should be kept at a distance from work area.
- 6. Dress properly** - Do not wear loose clothing or jewelry. They can be caught in moving parts. Use of rubber gloves and substantial footwear is recommended when working outdoors. Wear protective hair covering to contain long hair.
- 7. Use safety equipment. Always wear eye protection.** Dust mask, non-skid safety shoes, hard hat, or hearing protection must be used for appropriate conditions.
- 8. Use right appliance** - Do not use appliance for any job except that for which it is intended.
- 9. Avoid unintentional starting** - Do not carry appliance with finger on switch. Be sure switch is off before inserting battery pack.
- 10. Do not grasp the exposed cutting blades or cutting edges when picking up or holding the appliance.**
- 11. Do not force appliance** - It will do the job better and with less likelihood of a risk of injury at the rate for which it was designed.
- 12. Do not overreach** - Keep proper footing and balance at all times.
- 13. Stay alert** - Watch what you are doing. Use common sense. Do not operate appliance when you are tired.
- 14. Store idle appliances indoors** - When not in use, appliances should be stored indoors in dry, and high or locked-up place out of reach of children.
- 15. Maintain appliance with care** - Keep cutting edge sharp and clean for best performance and to reduce the risk of injury. Follow instructions for lubricating and changing accessories. Inspect appliance cord periodically, and if damaged, have it repaired by an authorized service facility. Inspect extension cords periodically and replace if damaged. Keep handles dry, clean, and free from oil and grease.
- 16. Check damaged parts** - Before further use of the appliance, a guard or other part that is damaged should be carefully checked to determine that it will operate properly and perform its intended function. Check for alignment of moving parts, binding of moving parts, breakage of parts, mounting, and any other condition that may affect its operation. A guard or other part that is damaged should be properly repaired or replaced by an authorized service center unless indicated elsewhere in this manual.
- 17. A battery operated appliance with integral batteries or a separate battery pack must be recharged only with the specified charger for the battery.** A charger that may be suitable for one type of battery may create a risk of fire when used with another battery.
- 18. Use battery operated appliance only with specifically designated battery pack.** Use of any other batteries may create a risk of fire.
- 19. Remove adjusting keys or wrenches before turning the appliance on.** A wrench or a key that is left attached to a rotating part of the appliance may result in personal injury.
- 20. Do not use appliance if switch does not turn it on or off.** An appliance that cannot be controlled with the switch is dangerous and must be repaired.
- 21. Use only accessories that are recommended by the manufacturer for your model.** Accessories that may be suitable for one appliance may create a risk of injury when used on another appliance.
- 22. Appliance service must be performed only by qualified repair personnel.** Service or maintenance performed by unqualified personnel may result in a risk of injury.
- 23. When servicing an appliance, use only identical replacement parts. Follow instructions in the Maintenance section of this manual.** Use of unauthorized parts or failure to follow Maintenance instructions may create a risk of shock or injury.
- 24. Keep hands away from blades.**
- 25. Before cutting grass, remove foreign matter such as rocks and large sticks from the work area. Be careful not to catch foreign matter between blades, otherwise blades may be jammed.** If this happens, switch the appliance off. Then remove the obstruction from the blades.
- 26. When not in use, be sure to cover the blades with blade cover.**
- 27. If the blades stop moving due to the stuck of foreign objects between the blades during operation, switch off the tool and remove the battery cartridge, and then remove the foreign objects using tools such as pliers.** Removing the foreign objects by hand may cause an injury for the reason that the blades may move in reaction to removing the foreign objects.

**⚠️ WARNING:** DO NOT let comfort or familiarity with product (gained from repeated use) replace strict adherence to safety rules for the subject product. MISUSE or failure to follow the safety rules stated in this instruction manual may cause serious personal injury.



## Cordless Hedge Trimmer Safety Warnings



1. **Keep all parts of the body away from the cutter blade. Do not remove cut material or hold material to be cut when blades are moving. Make sure the switch is off when clearing jammed material. Blades coast after turn off.** A moment of inattention while operating the hedge trimmer may result in serious personal injury.
2. **Carry the hedge trimmer by the handle with the cutter blade stopped.** Proper handling of the hedge trimmer will reduce possible personal injury from the cutter blades.
3. **Hold the power tool by insulated gripping surfaces only, because the cutter blade may contact hidden wiring.** Cutter blades contacting a "live" wire may make exposed metal parts of the power tool "live" and could give the operator an electric shock.
4. **DANGER - Keep hands away from blade.** Contact with blade will result in serious personal injury.
5. **Do not use the hedge trimmer in the rain or in wet or very damp conditions.** The electric motor is not waterproof.
6. **First-time users should have an experienced hedge trimmer user show them how to use the trimmer.**
7. **The hedge trimmer must not be used by children or young persons under 18 years of age.** Young persons over 16 years of age may be exempted from this restriction if they are undergoing training under the supervision of an expert.
8. **Use the hedge trimmer only if you are in good physical condition.** If you are tired, your attention will be reduced. Be especially careful at the end of a working day. Perform all work calmly and carefully. The user is responsible for all damages to third parties.
9. **Never use the trimmer when under the influence of alcohol, drugs or medication.**
10. **Work gloves of stout leather are part of the basic equipment of the hedge trimmer and must always be worn when working with it. Also wear sturdy shoes with anti-skid soles.**
11. **Before starting work check to make sure that the trimmer is in good and safe working order. Ensure guards are fitted properly. The hedge trimmer must not be used unless fully assembled.**
12. **Make sure you have a secure footing before starting operation.**
13. **Hold the tool firmly when using the tool.**
14. **Do not operate the tool at no-load unnecessarily.**
15. **Immediately switch off the motor and remove the battery cartridge if the cutter should come into contact with a fence or other hard object. Check the cutter for damage, and if damaged repair immediately.**
16. **Before checking the cutter, taking care of faults, or removing material caught in the cutter, always switch off the trimmer and remove the battery cartridge.**
17. **Switch off the trimmer and remove the battery cartridge before doing any maintenance work.**
18. **When moving the hedge trimmer to another location, including during work, always remove the battery cartridge and put the blade cover on the cutter blades. Never carry or transport the trimmer with the cutter running. Never grasp the cutter with your hands.**
19. **Clean the hedge trimmer and especially the cutter after use, and before putting the trimmer into storage for extended periods. Lightly oil the cutter and put on the cover.** The cover supplied with the unit can be hung on the wall, providing a safe and practical way to store the hedge trimmer.
20. **Store the hedge trimmer with the cover on, in a dry room. Keep it out of reach of children. Never store the trimmer outdoors.**
21. **Never point the shear blades to yourself or others.**
22. **If the blades stop moving due to the stuck of foreign objects between the blades during operation, switch off the tool and remove the battery cartridge, and then remove the foreign objects using tools such as pliers.** Removing the foreign objects by hand may cause an injury for the reason that the blades may move in reaction to removing the foreign objects.
23. **Avoid dangerous environment. Don't use the tool in damp or wet locations or expose it to rain. Water entering the tool will increase the risk of electric shock.**
24. **Do not dispose of the battery(ies) in a fire. The cell may explode. Check with local codes for possible special disposal instructions.**
25. **Do not open or mutilate the battery(ies). Released electrolyte is corrosive and may cause damage to the eyes or skin. It may be toxic if swallowed.**
26. **Do not charge battery in rain, or in wet locations.**
27. **Check the hedges and bushes for foreign objects, such as wire fences or hidden wiring before operating the tool.**

### SAVE THESE INSTRUCTIONS.

**⚠WARNING:** DO NOT let comfort or familiarity with product (gained from repeated use) replace strict adherence to safety rules for the subject product. MISUSE or failure to follow the safety rules stated in this instruction manual may cause serious personal injury.

## Symbols

The followings show the symbols used for tool.

V	volts
 	direct current
n	rated speed
n <sub>0</sub>	no load speed
... /min r /min	revolutions or reciprocation per minute

## Important safety instructions for battery cartridge

1. **Before using battery cartridge, read all instructions and cautionary markings on (1) battery charger, (2) battery, and (3) product using battery.**
2. **Do not disassemble or tamper with the battery cartridge.** It may result in a fire, excessive heat, or explosion.
3. **If operating time has become excessively shorter, stop operating immediately.** It may result in a risk of overheating, possible burns and even an explosion.
4. **If electrolyte gets into your eyes, rinse them out with clear water and seek medical attention right away.** It may result in loss of your eyesight.
5. **Do not short the battery cartridge:**
  - (1) **Do not touch the terminals with any conductive material.**
  - (2) **Avoid storing battery cartridge in a container with other metal objects such as nails, coins, etc.**
  - (3) **Do not expose battery cartridge to water or rain.**

A battery short can cause a large current flow, overheating, possible burns and even a breakdown.

6. **Do not store and use the tool and battery cartridge in locations where the temperature may reach or exceed 50 °C (122 °F).**
7. **Do not incinerate the battery cartridge even if it is severely damaged or is completely worn out.** The battery cartridge can explode in a fire.
8. **Do not nail, cut, crush, throw, drop the battery cartridge, or hit against a hard object to the battery cartridge.** Such conduct may result in a fire, excessive heat, or explosion.
9. **Do not use a damaged battery.**
10. **The contained lithium-ion batteries are subject to the Dangerous Goods Legislation requirements.**

For commercial transports e.g. by third parties, forwarding agents, special requirement on packaging and labeling must be observed.

For preparation of the item being shipped, consulting an expert for hazardous material is required. Please also observe possibly more detailed national regulations.

Tape or mask off open contacts and pack up the battery in such a manner that it cannot move around in the packaging.

11. **When disposing the battery cartridge, remove it from the tool and dispose of it in a safe place. Follow your local regulations relating to disposal of battery.**
12. **Use the batteries only with the products specified by Makita.** Installing the batteries to non-compliant products may result in a fire, excessive heat, explosion, or leak of electrolyte.
13. **If the tool is not used for a long period of time, the battery must be removed from the tool.**
14. **During and after use, the battery cartridge may take on heat which can cause burns or low temperature burns. Pay attention to the handling of hot battery cartridges.**
15. **Do not touch the terminal of the tool immediately after use as it may get hot enough to cause burns.**
16. **Do not allow chips, dust, or soil stuck into the terminals, holes, and grooves of the battery cartridge.** It may cause heating, catching fire, burst and malfunction of the tool or battery cartridge, resulting in burns or personal injury.
17. **Unless the tool supports the use near high-voltage electrical power lines, do not use the battery cartridge near high-voltage electrical power lines.** It may result in a malfunction or breakdown of the tool or battery cartridge.
18. **Keep the battery away from children.**

## SAVE THESE INSTRUCTIONS.

**⚠ CAUTION:** Only use genuine Makita batteries. Use of non-genuine Makita batteries, or batteries that have been altered, may result in the battery bursting causing fires, personal injury and damage. It will also void the Makita warranty for the Makita tool and charger.

## Tips for maintaining maximum battery life

1. **Charge the battery cartridge before completely discharged. Always stop tool operation and charge the battery cartridge when you notice less tool power.**
2. **Never recharge a fully charged battery cartridge. Overcharging shortens the battery service life.**
3. **Charge the battery cartridge with room temperature at 10 °C - 40 °C (50 °F - 104 °F). Let a hot battery cartridge cool down before charging it.**
4. **When not using the battery cartridge, remove it from the tool or the charger.**

## FUNCTIONAL DESCRIPTION

**CAUTION:** Always be sure that the tool is switched off and the battery cartridge is removed before adjusting or checking function on the tool.

### Using the tool as cordless hedge trimmer/grass shear

#### For UM600D

This tool can be used as cordless hedge trimmer by installing the shear blades for hedge trimmer (optional accessory).

#### For UH201D

This tool can be used as cordless grass shear by installing the shear blades for grass shear (optional accessory).

### Installing or removing battery cartridge

**CAUTION:** Always switch off the tool before installing or removing of the battery cartridge.

**CAUTION:** Hold the tool and the battery cartridge firmly when installing or removing battery cartridge. Failure to hold the tool and the battery cartridge firmly may cause them to slip off your hands and result in damage to the tool and battery cartridge and a personal injury.

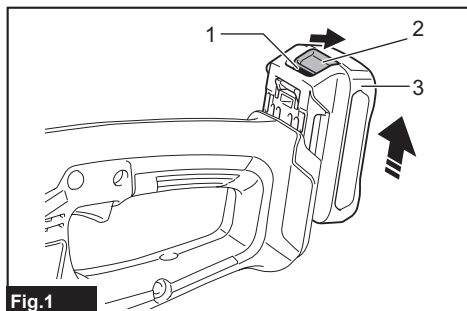


Fig.1

► 1. Red indicator 2. Button 3. Battery cartridge

To remove the battery cartridge, slide it from the tool while sliding the button on the front of the cartridge.

To install the battery cartridge, align the tongue on the battery cartridge with the groove in the housing and slip it into place. Insert it all the way until it locks in place with a little click. If you can see the red indicator as shown in the figure, it is not locked completely.

**CAUTION:** Always install the battery cartridge fully until the red indicator cannot be seen. If not, it may accidentally fall out of the tool, causing injury to you or someone around you.

**CAUTION:** Do not install the battery cartridge forcibly. If the cartridge does not slide in easily, it is not being inserted correctly.

## Indicating the remaining battery capacity

Only for battery cartridges with the indicator

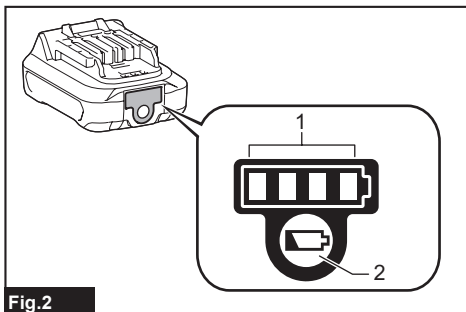


Fig.2

► 1. Indicator lamps 2. Check button

Press the check button on the battery cartridge to indicate the remaining battery capacity. The indicator lamps light up for a few seconds.

Indicator lamps		Remaining capacity
Lighted	Off	
■ ■ ■ ■		75% to 100%
■ ■ ■ □		50% to 75%
■ ■ □ □		25% to 50%
■ □ □ □		0% to 25%

**NOTE:** Depending on the conditions of use and the ambient temperature, the indication may differ slightly from the actual capacity.

## Tool / battery protection system

The tool is equipped with a tool/battery protection system. This system automatically cuts off power to the motor to extend tool and battery life. The tool will automatically stop during operation if the tool or battery is placed under one of the following conditions:

### Overload protection

When the battery is operated in a manner that causes it to draw an abnormally high current, the tool automatically stops. In this situation, turn the tool off and stop the application that caused the tool to become overloaded. Then turn the tool on to restart.

### Overheat protection

When the tool or battery is overheated, the tool stops automatically and the lamp blinks. In this case, let the tool and battery cool before turning the tool on again.

### Overdischarge protection

When the battery capacity is not enough, the tool stops automatically. If you turn the tool on, the motor runs again but stops soon. In this case, remove the battery from the tool and charge the battery.

## Switch action

**⚠ WARNING:** Before installing the battery cartridge into the tool, always check to see that the switch trigger actuates properly and returns to the "OFF" position when released.

**⚠ WARNING:** For your safety, this tool is equipped with the lock-off button which prevents the tool from unintended starting. Never use the tool if it starts when you pull the switch trigger without pressing the lock-off button. Ask your local Makita Service Center for repairs.

**⚠ WARNING:** Never disable the lock function or tape down the lock-off button.

**NOTICE:** Do not pull the switch trigger forcibly without pressing the lock-off button. The switch may break.

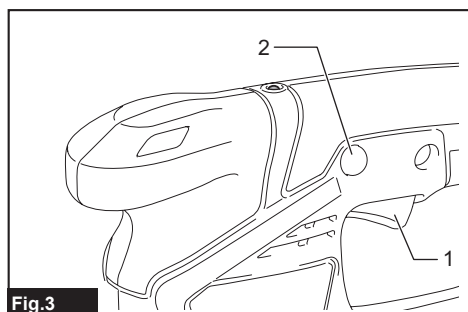


Fig.3

► 1. Switch trigger 2. Lock-off button

To prevent the switch trigger from being accidentally pulled, a lock-off button is provided.

To start the tool, press the lock-off button and pull the switch trigger. Release the switch trigger to stop. The lock-off button can be pressed from either the right or left side.

## Indicator lamp

The indicator lamp blinks or lights up when the remaining battery capacity is low or empty. The indicator lamp also lights up when the tool becomes overloaded.

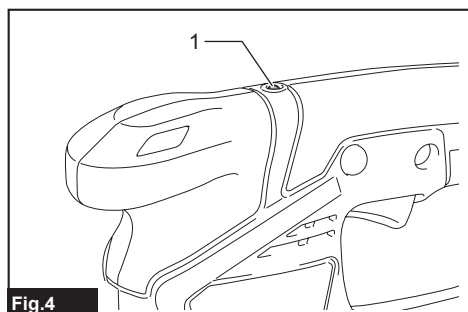


Fig.4

► 1. Indicator lamp

## Lamp status and action to be taken

Indicator lamp	Status	Action to be taken
The lamp blinks red.	The remaining battery capacity is low.	Charge the battery.
The lamp lights up red. *	The tool has stopped because the remaining battery capacity is empty.	Charge the battery.
	The tool has stopped due to overload.	Turn off the tool.

\* The time at which the indicator lamp lights up varies depending on the temperature around the work area and the battery cartridge conditions.

## Adjusting the shearing height (for grass shear)

**⚠ CAUTION:** When changing the shearing height, be sure to attach the blade cover and be careful not to trap fingers between the tool and grass receiver.

The shearing height can be set to three levels (15 mm (9/16"), 20 mm (13/16"), and 25 mm (1")) by changing the fixed position of the grass receiver. The shearing height without the grass receiver is about 10 mm (3/8").

1. Slide the grass receiver toward the front of the tool.

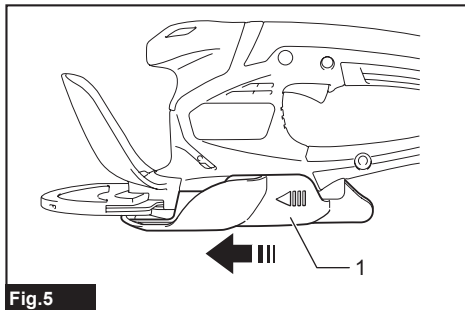


Fig.5

► 1. Grass receiver

2. Change the fixed position of the grass receiver by moving it in the direction of the arrow.

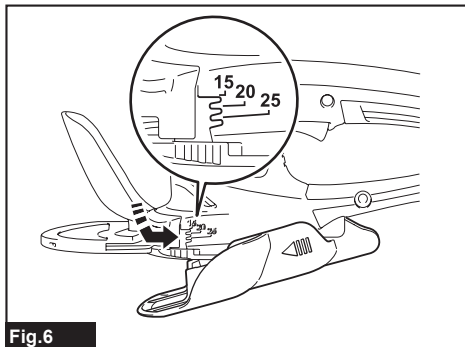


Fig.6

**NOTE:** The shearing height value is a guideline. The actual shearing height may vary depending on the condition of the lawn or the ground.

**NOTE:** Try a test shearing in a less conspicuous place to get your desired height.

## ASSEMBLY

**CAUTION:** Always be sure that the tool is switched off and the battery cartridge is removed before carrying out any work on the tool.

**CAUTION:** When replacing the shear blades, always wear gloves and attach the blade cover so that your hands and face do not directly contact the blades.

**NOTICE:** When replacing the shear blades, do not wipe off grease from the gear and crank.

### Installing or removing the blade cover for grass shear

**CAUTION:** Be careful not to touch the blades when installing or removing the blade cover.

To remove the blade cover, pull it slightly, and then slide it sideways. To install the blade cover, perform the steps in reverse.

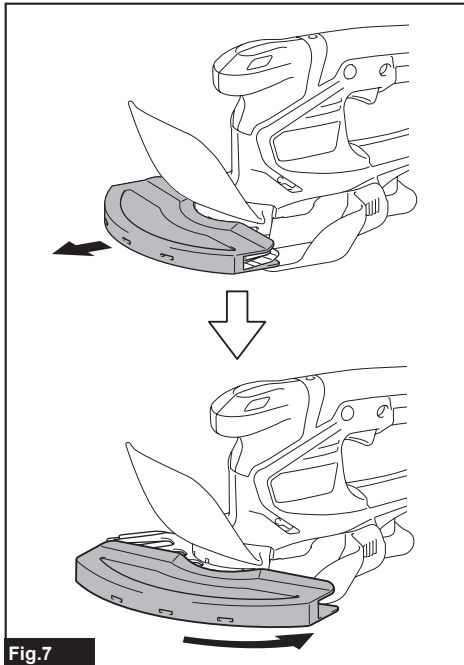


Fig.7

### Installing or removing the grass receiver

**CAUTION:** When installing or removing the grass receiver, be sure to attach the blade cover and be careful not to trap your fingers between the tool and grass receiver.

#### Removing the grass receiver

1. Release the protrusions on the grass receiver from the grooves on the tool while sliding the grass receiver toward the front of the tool.

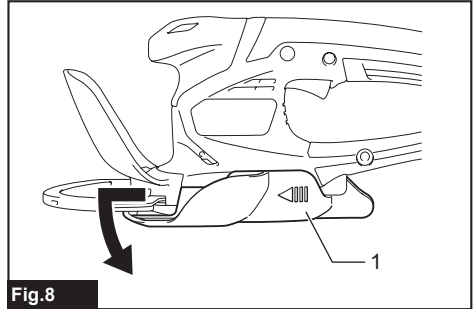


Fig.8

- 1. Grass receiver

2. Release the hinge of the grass receiver from the tool.

#### Installing the grass receiver

1. Hook the hinge of the grass receiver on the groove of the tool.

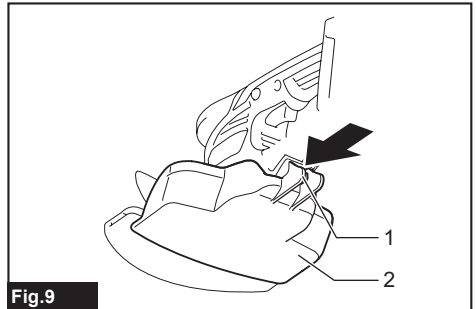


Fig.9

- 1. Hinge 2. Grass receiver

2. Align the protrusions on the grass receiver with the grooves on the tool by sliding the grass receiver toward the front of the tool and moving it in the direction of the arrow.

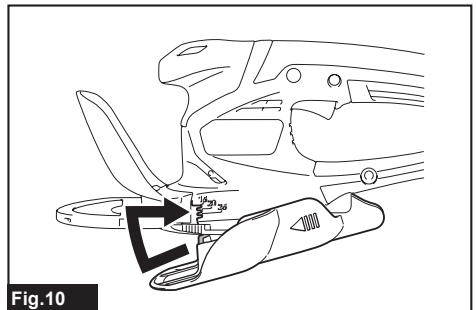


Fig.10

**NOTICE:** Do not attach the hinge of the grass receiver to the tool forcibly after aligning the protrusions on the grass receiver with the grooves on the tool.

## Installing or removing the shear blades for grass shear

**NOTICE:** If the parts other than the shear blades such as the crank are worn out, ask Makita Authorized Service Centers for parts replacement or repairs.

### Removing the shear blades

1. Remove the grass receiver and place the tool upside down.

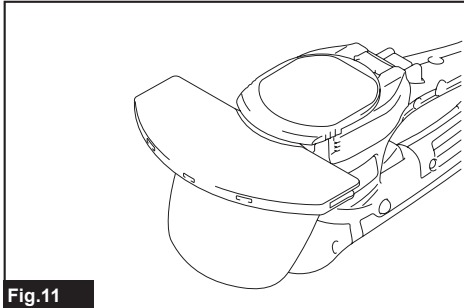




Fig.11

2. While pressing the lock lever, turn the undercover counterclockwise until  on the undercover is aligned with  on the lock lever.

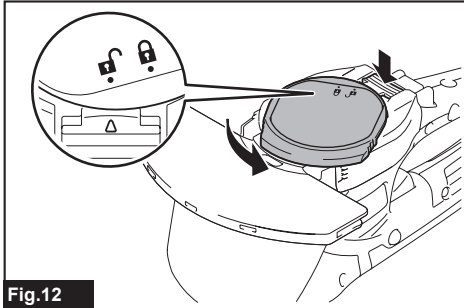


Fig.12

3. Remove the undercover, shear blades, and crank.

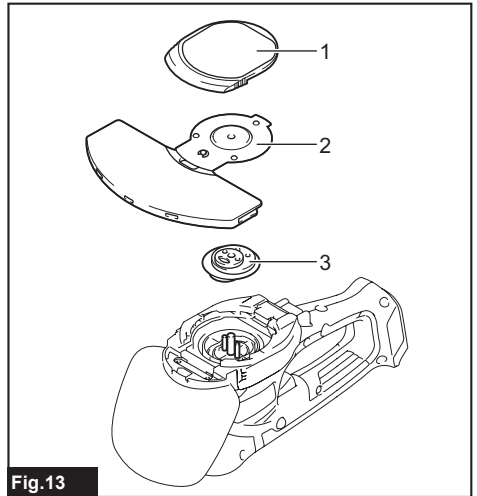


Fig.13

- 1. Undercover 2. Grass shear blades 3. Crank

### Installing the grass shear blades

1. Prepare the crank, undercover, and new grass shear blades.

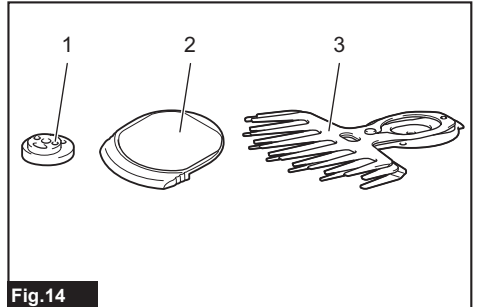


Fig.14

- 1. Crank 2. Undercover 3. Grass shear blades

2. Remove the blade cover from the old grass shear blades, and then attach it to the new ones.

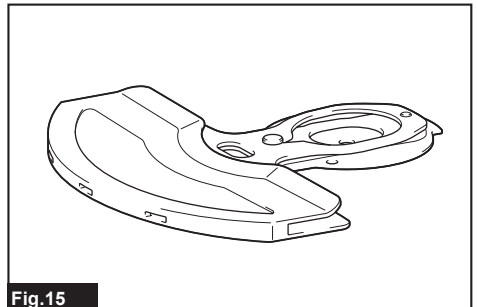


Fig.15

3. Adjust the three pins so that they are lined up on the alignment line.

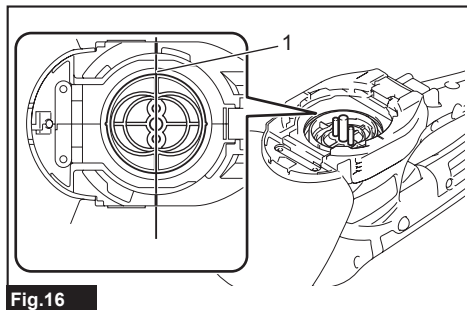


Fig.16

- 1. Alignment line

4. Apply a small amount of grease to the periphery of the crank. Attach the crank to the pins with the small and large rounds facing up.

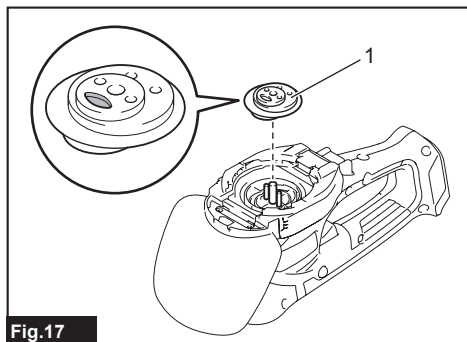


Fig.17

- 1. Crank

5. Adjust the blades and base plate so that the hole in the base plate and the two protrusions on the blades are lined up.

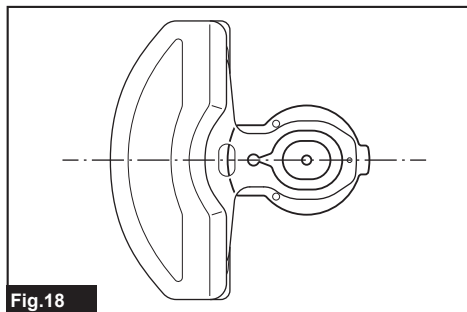


Fig.18

6. Turn the shear blades upside down and install them so that the pins on the tool fit in the hole on the base plate. Make sure that the shear blades are fixed securely in place.

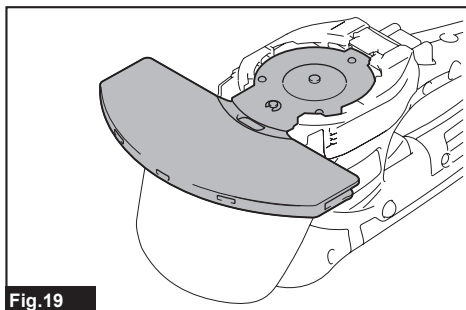




Fig.19

7. Place the undercover so that  on the undercover is aligned with  on the lock lever.

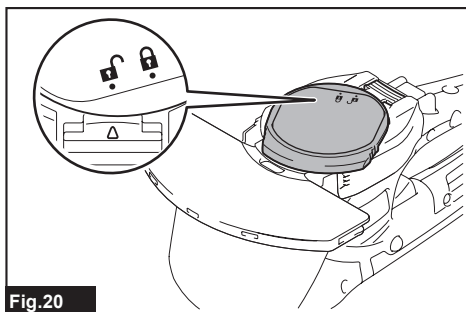




Fig.20

8. While pressing the undercover, turn the undercover clockwise until  on the undercover is aligned with  on the lock lever.

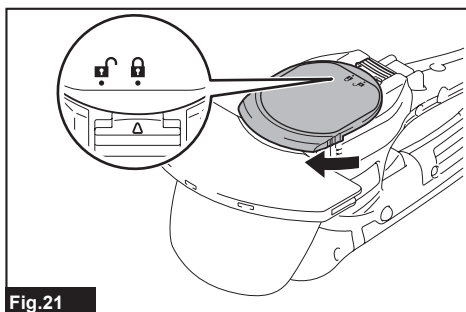


Fig.21



9. Make sure that the lock lever fits in the groove on the undercover.

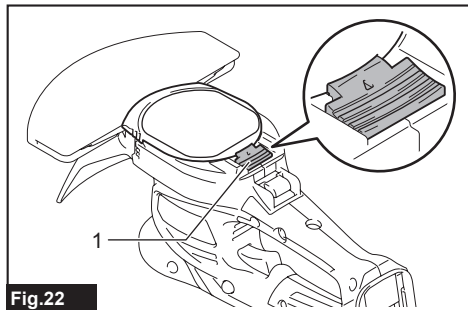


Fig.22

- ▶ 1. Lock lever

**CAUTION:** Never use the tool without installing the undercover.

10. Remove the blade cover, and then turn on the tool to check that it works properly.

**NOTICE:** If the shear blades do not operate properly, the blades are not engaging the crank properly. Remove the blades and install them again.

### Installing or removing the shear blades for hedge trimmer

**CAUTION:** Attach the blade cover before removing or installing the shear blades.

**NOTICE:** If the parts other than the shear blades such as the crank are worn out, ask Makita Authorized Service Centers for parts replacement or repairs.

### Removing the shear blades

1. Place the tool upside down.

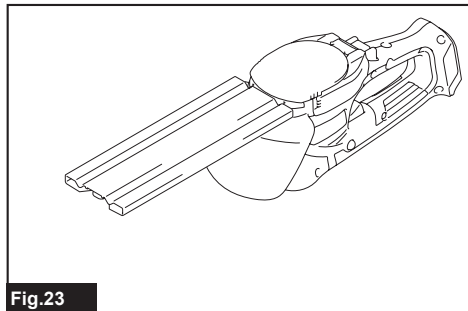




Fig.23

2. While pressing the lock lever, turn the undercover counterclockwise until  on the undercover is aligned with  on the lock lever.

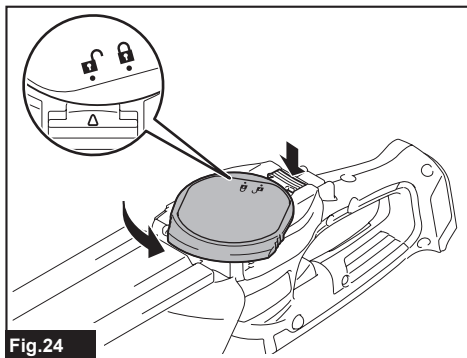


Fig.24

3. Remove the undercover.

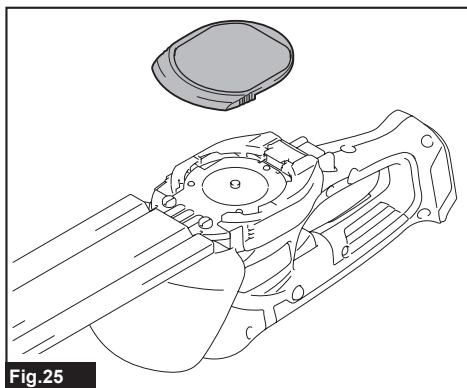


Fig.25

4. Loosen the two screws with a screwdriver and remove the shear blades.

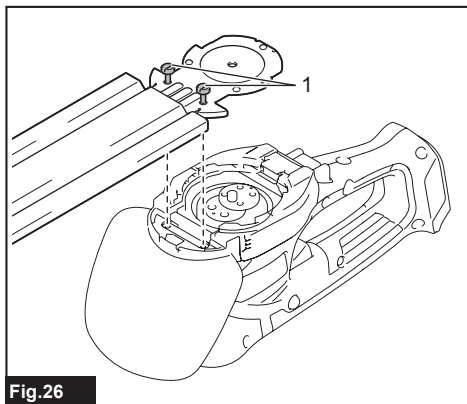
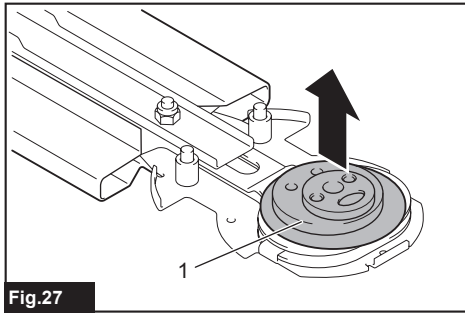


Fig.26

- ▶ 1. Screws

**NOTE:** The shear blades can be removed without removing the screws.

- Remove the crank from the shear blades.



**Fig.27**

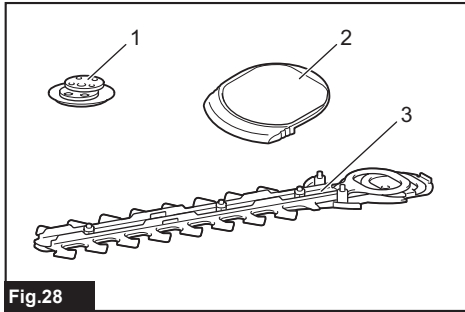
- Crank

**NOTE:** The crank may remain in the tool.

Attach the blade cover and the storage case to the removed shear blades, and then store the blades.

## Installing hedge trimmer blades

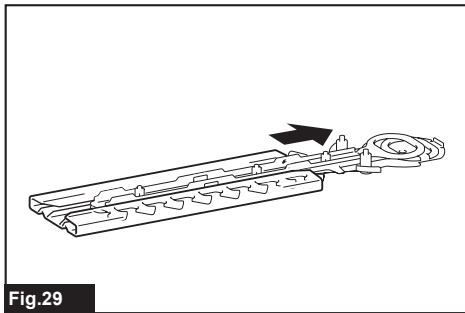
- Prepare the crank, undercover, and new hedge trimmer blades.



**Fig.28**

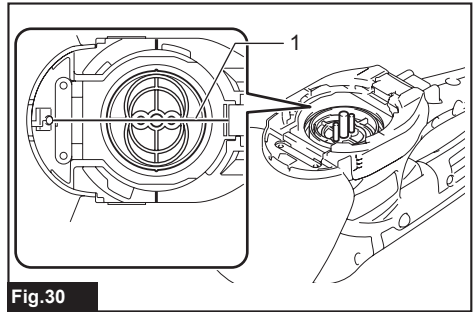
- Crank
- Undercover
- Hedge trimmer blades

- Attach the blade cover to the hedge trimmer blades.



**Fig.29**

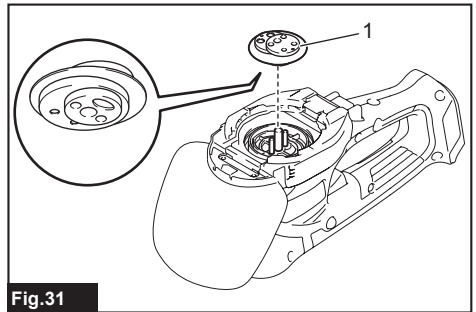
- Adjust the three pins so that they are lined up on the alignment line.



**Fig.30**

- Alignment line

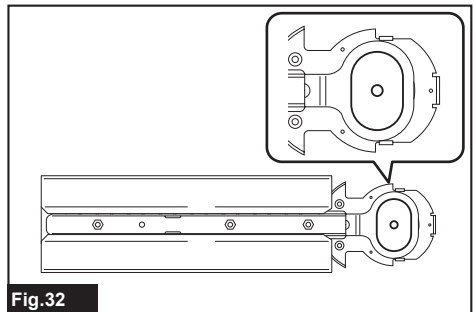
- Apply a small amount of grease to the periphery of the crank. Attach the crank to the pins with the small and large rounds facing down.



**Fig.31**

- Crank

- Slide the shear blades so that the hole on the base plate is positioned at the center of the rings of the blades.



**Fig.32**

6. Turn the shear blades upside down and install them so that the pin on the tool fits in the hole on the shear blades. Insert the claw of the base plate into the groove on the tool. Make sure that the shear blades are fixed securely in place.

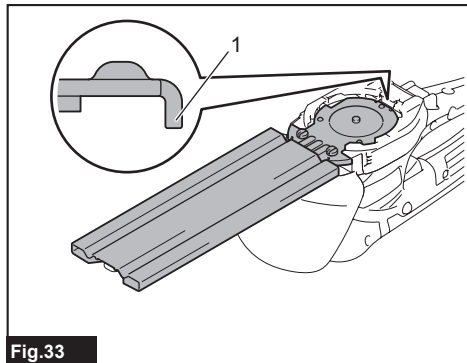


Fig.33

- 1. Claw

7. Tighten the two screws firmly with a screwdriver.

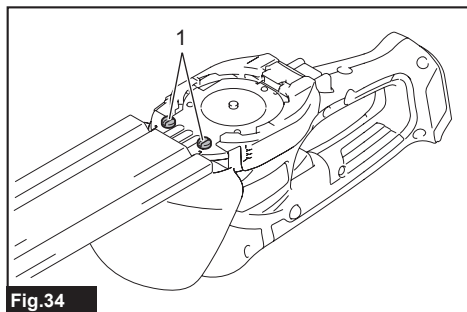




Fig.34

- 1. Screws

8. Place the undercover so that  on the undercover is aligned with  on the lock lever.

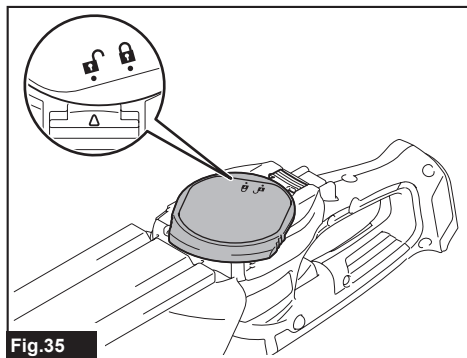




Fig.35

9. While pressing the undercover, turn it clockwise until  on the undercover is aligned with  on the lock lever.

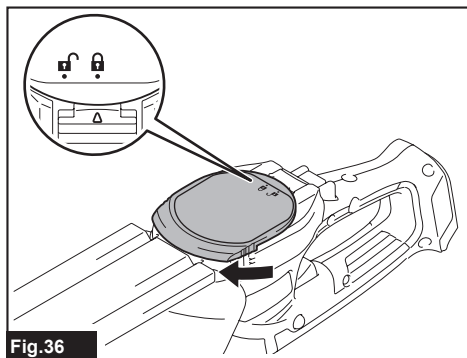


Fig.36

10. Make sure that the lock lever fits in the groove on the undercover.

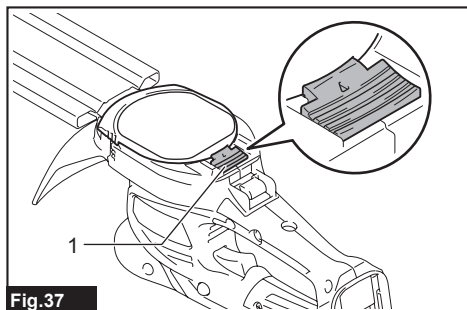


Fig.37

- 1. Lock lever

**CAUTION:** Never use the tool without installing the undercover.

11. Remove the blade cover, and then turn on the tool to check that it works properly.

**NOTICE:** If the shear blades do not operate properly, the blades are not engaging the crank properly. Remove the blades and install them again.

## Installing or removing the chip receiver

### Optional accessory

**CAUTION:** When installing or removing the chip receiver, always wear gloves and attach the blade cover so that your hands and face do not directly contact the blade.

The chip receiver gathers discarded leaves and makes clean-up afterward much easier. It can be installed on either side of the tool.

To install the chip receiver, press it against the shear blades so that the hooks fit into the holes of the shear blades.

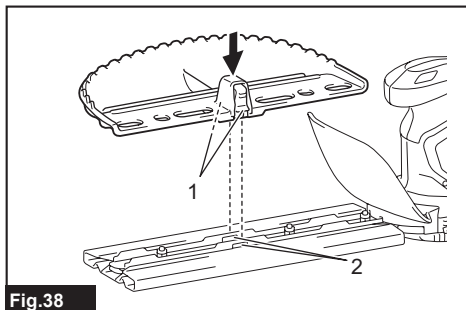


Fig.38

► 1. Hooks 2. Holes

To remove the chip receiver, press the levers on both sides to release the hooks.

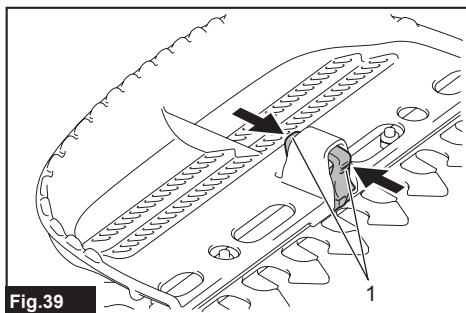


Fig.39

► 1. Levers

**NOTICE:** Never try to remove the chip receiver by an excessive force with its hooks locked in the holes of the blades.

## OPERATION

**WARNING:** Before shearing, clear away sticks and stones from the shearing area. Furthermore, clear away any weeds from the shearing area in advance.



Fig.40

**WARNING:** Keep hands away from blades.

**CAUTION:** Avoid operating the tool in very hot weather as much as practicable. When operating the tool, be careful of your physical condition.

### Shearing (for grass shear)

Turn the tool on after adjusting the shearing height and hold it so that the bottom of the tool rests on the ground. Gently move the tool forward.

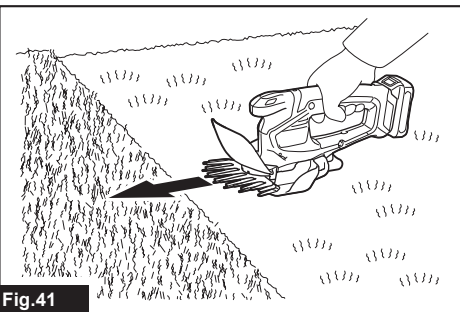


Fig.41

When trimming around curbs, fences or trees, move the tool along them. Be careful that the blades do not come into contact with them.

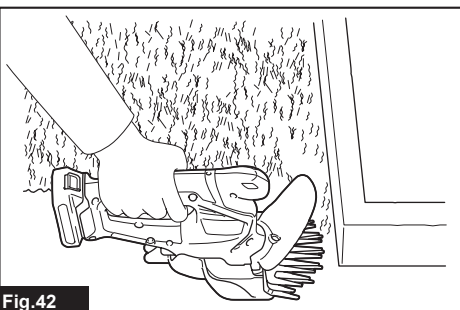


Fig.42

When trimming sprouts or foliage of a small tree, trim little by little.

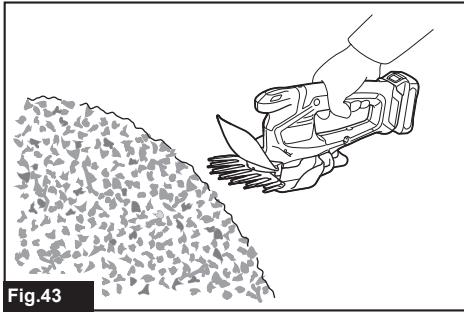


Fig.43

Trim large branches to the desired height using branch cutters before using this tool.

**NOTICE:** Do not use the tool in a way that causes the motor to stop or to rotate extremely slowly.

**NOTICE:** Do not attempt to cut thick branches.

**NOTICE:** Do not allow the shear blades to contact the ground during operation. The blades will be dulled, causing poor performance.

**NOTICE:** Do not trim the wet grass or foliage of small trees.

## Cutting long lawn

Do not try to cut long grass all at once. Instead, cut the lawn in steps. Leave a day or two between cuts until the lawn becomes evenly short.

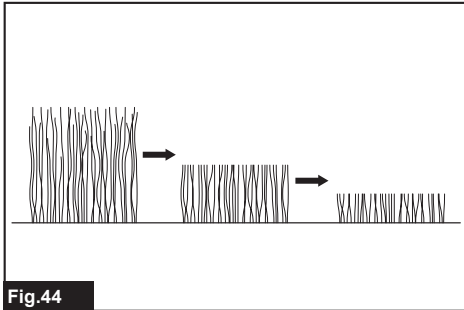


Fig.44

**NOTE:** Cutting long grass to a short length all at once may cause the grass to die.

## Trimming (for hedge trimmer)

**CAUTION:** Be careful not to accidentally contact a metal fence or other hard objects while trimming. The blades may break and cause an injury.

**CAUTION:** Be careful not to allow the shear blades to contact the ground. The tool may recoil and cause an injury.

**CAUTION:** Overreaching with a hedge trimmer, particularly from a ladder, is extremely dangerous. Do not work while standing on anything wobbly or infirm.

**NOTICE:** Do not attempt to cut branches thicker than 10 mm (3/8") in diameter with the tool. Cut branches to 10 cm (4") lower than the cutting height using branch cutters before using the tool.

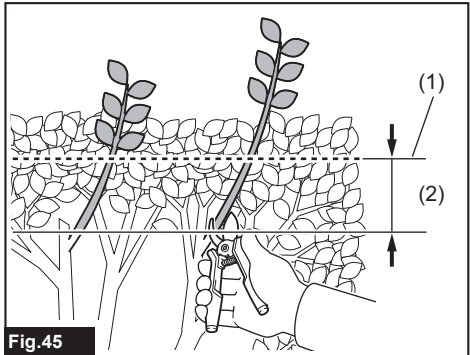


Fig.45

► (1) Cutting height (2) 10 cm (4")

**NOTICE:** Do not cut down dead trees or similar hard objects. Doing so may damage the tool.

**NOTICE:** Do not trim the grass or weeds while using the shear blades. The blades may become tangled in the grass or weeds.

Hold the tool with one hand, pull the switch trigger while pressing the lock-off button, and then move it forward.

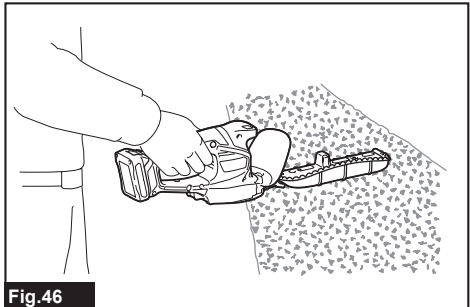


Fig.46

For basic operation, tilt the blades toward the trimming direction and move it calmly and slowly at the speed rate of 3 to 4 seconds per meter.

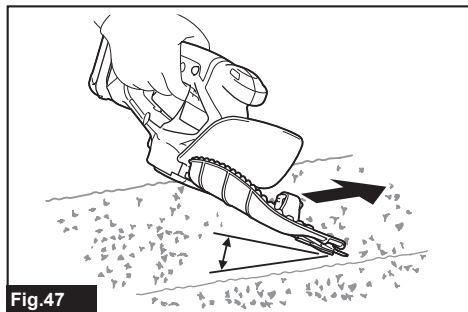


Fig.47

To tie a string at the desired height and to trim along it help you to cut a hedge top evenly.

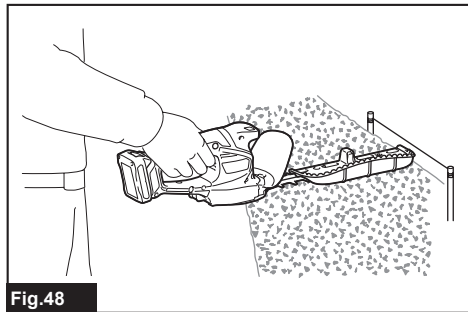


Fig.48

If the chip receiver is attached to the blades, it gathers discarded leaves and makes clean-up afterward much easier.

To cut a hedge side evenly, cut from the bottom to top.

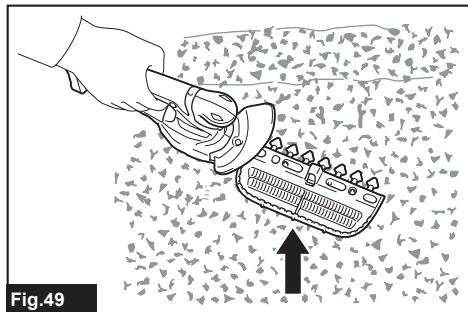


Fig.49

When trimming to make a round shape (trimming boxwood or rhododendron, etc.), trim from the root to the top for a beautiful finish.

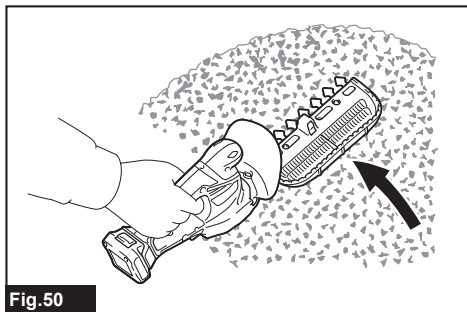


Fig.50

## MAINTENANCE

**CAUTION:** Always be sure that the tool is switched off and the battery cartridge is removed before attempting to perform inspection or maintenance.

To maintain product SAFETY and RELIABILITY, repairs, any other maintenance or adjustment should be performed by Makita Authorized or Factory Service Centers, always using Makita replacement parts.

### Cleaning the tool

Clean the tool by wiping off dust with a dry cloth or one dipped in soapy water and wrung out.

**NOTICE:** Never use gasoline, benzene, thinner, alcohol or the like. Discoloration, deformation or cracks may result.

### Blade maintenance

Before the operation or once per hour during operation, apply low-viscosity oil (machine oil, or spray-type lubricating oil) to the blades.

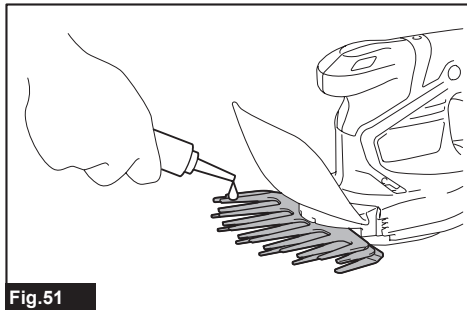


Fig.51

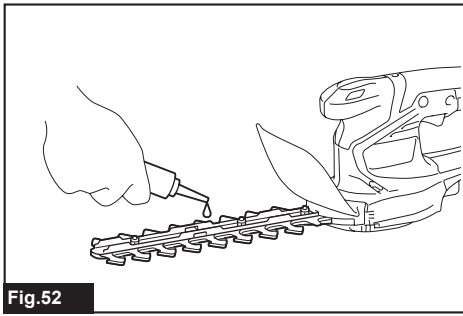


Fig. 52

After operation, remove dust from both sides of the blades with a wired brush, wipe it off with a cloth and then apply low-viscosity oil (machine oil, or spray-type lubricating oil) to the blades.

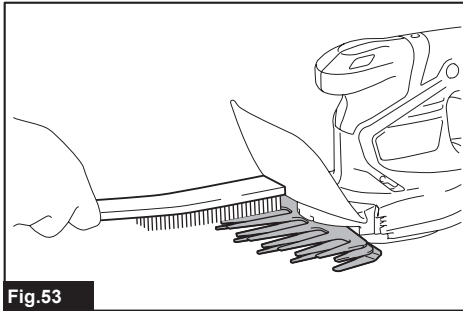


Fig. 53

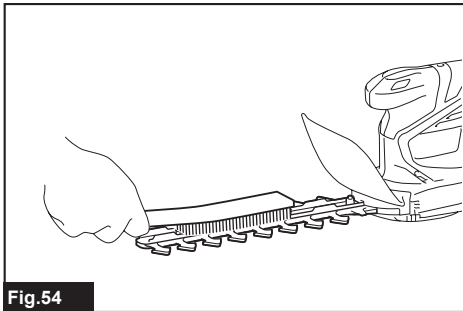


Fig. 54

**NOTICE:** Do not wash the blades in water. Doing so may cause rust or damage to the tool.

**NOTICE:** Dirt and corrosion cause excessive blade friction and shorten the operating time per battery charge.

## Storage

The hook hole in the tool bottom is convenient for hanging the tool from a nail or screw on the wall. Attach the blade cover to the shear blades so that the blades are not exposed. Store the tool out of the reach of children. Store the tool in a place not exposed to moisture or rain.

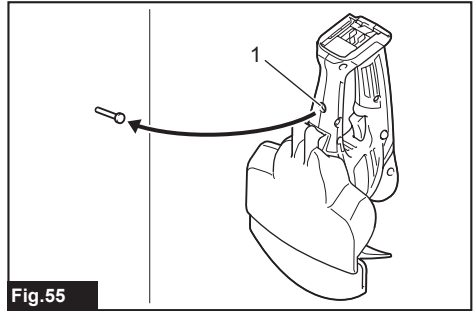


Fig. 55

► 1. Hole

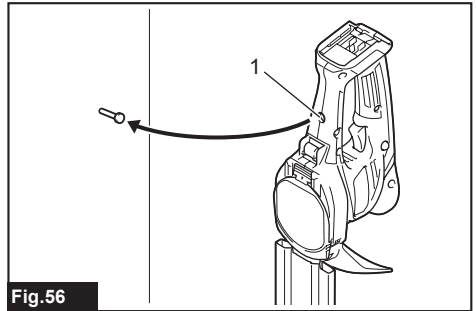


Fig. 56

► 1. Hole

## OPTIONAL ACCESSORIES

**CAUTION:** These accessories or attachments are recommended for use with your Makita tool specified in this manual. The use of any other accessories or attachments might present a risk of injury to persons. Only use accessory or attachment for its stated purpose.

If you need any assistance for more details regarding these accessories, ask your local Makita Service Center.

- Grass shear blades
- Shear blade cover (for grass shear use)
- Grass receiver (for grass shear use)
- Long handle attachment (for grass shear use)
- Hedge trimmer blades
- Shear blade cover (for hedge trimmer use)
- Chip receiver (for hedge trimmer use)
- Storage case
- Makita genuine battery and charger



**NOTE:** Some items in the list may be included in the tool package as standard accessories. They may differ from country to country.

## **MAKITA LIMITED WARRANTY**

Please refer to the annexed warranty sheet for the most current warranty terms applicable to this product. If annexed warranty sheet is not available, refer to the warranty details set forth at below website for your respective country.

United States of America: [www.makitatools.com](http://www.makitatools.com)

Canada: [www.makita.ca](http://www.makita.ca)

Other countries: [www.makita.com](http://www.makita.com)

## SPÉCIFICATIONS

### UM600D avec lame de cisaillement pour taille-herbes posée

Modèle :	UM600D
Largeur de coupe	160 mm (6-5/16")
Cisaillements par minute	2 500/min
Dimensions (L x P x H)	347 mm x 177 mm x 131 mm (13-5/8" x 7" x 5-1/8")
Tension nominale	C.C. 10,8 V - 12 V max.
Poids net	1,3 - 1,5 kg (2,8 - 3,3 lbs)

### UH201D avec lame de cisaillement pour taille-haie posée

Modèle :	UH201D
Longueur de lame	200 mm (7-7/8")
Cisaillements par minute	2 500/min
Dimensions (L x P x H)	504 mm x 120 mm x 131 mm (19-7/8" x 4-3/4" x 5-1/8")
Tension nominale	C.C. 10,8 V - 12 V max.
Poids net	1,3 - 1,5 kg (2,8 - 3,3 lbs)

- Étant donné l'évolution constante de notre programme de recherche et développement, les spécifications contenues dans ce manuel sont sujettes à modification sans préavis.
- Les spécifications peuvent varier suivant les pays.
- Le poids peut varier selon les accessoires, y compris la batterie. La plus légère et la plus lourde combinaisons, selon la procédure EPTA 01/2014, sont indiquées dans le tableau.

### Batteries et chargeurs applicables

Batterie	BL1016 / BL1021B / BL1041B
Chargeur	DC10SB / DC10WD / DC18RE

- Suivant la région où vous habitez, il se peut que certaines des batteries et certains des chargeurs énumérés ci-dessus ne soient pas disponibles.

**⚠ MISE EN GARDE :** Utilisez exclusivement les batteries et chargeurs énumérés ci-dessus. L'utilisation de toute autre batterie ou tout autre chargeur peut entraîner une blessure et/ou un incendie.

## CONSIGNES DE SÉCURITÉ

### Consignes de sécurité générales pour outils électriques

**⚠ MISE EN GARDE :** Lisez toutes les consignes de sécurité et toutes les instructions. L'ignorance des mises en garde et des instructions comporte un risque de choc électrique, d'incendie et/ou de blessure grave.

### Conservez toutes les mises en garde et instructions pour référence future.

Le terme « outil électrique » qui figure dans les avertissements fait référence à un outil électrique branché sur une prise de courant (par un cordon d'alimentation) ou alimenté par batterie (sans fil).

#### Sécurité de la zone de travail

1. **Maintenez la zone de travail propre et bien éclairée.** Les zones de travail encombrées ou sombres ouvrent grande la porte aux accidents.
2. **N'utilisez pas les outils électriques dans les atmosphères explosives, par exemple en présence de liquides, gaz ou poussières inflammables.** Les outils électriques produisent des étincelles au contact desquelles la poussière ou les vapeurs peuvent s'enflammer.
3. **Assurez-vous qu'aucun enfant ou curieux ne s'approche pendant que vous utilisez un outil électrique.** Vous risquez de perdre la maîtrise de l'outil si votre attention est détournée.

#### Sécurité en matière d'électricité

1. **Les fiches d'outil électrique sont conçues pour s'adapter parfaitement aux prises de courant. Ne modifiez jamais la fiche de quelque façon que ce soit. N'utilisez aucun adaptateur de fiche sur les outils électriques avec mise à la terre.** En ne modifiant pas les fiches et en les insérant dans des prises de courant pour lesquelles elles ont été conçues, vous réduirez les risques de choc électrique.

2. **Évitez tout contact corporel avec les surfaces mises à la terre, telles que tuyaux, radiateurs, cuisinières et réfrigérateurs.** Le risque de choc électrique est plus élevé si votre corps se trouve mis à la terre.
3. **N'exposez pas les outils électriques à la pluie ou à l'eau.** La présence d'eau dans un outil électrique augmente le risque de choc électrique.
4. **Ne maltraitez pas le cordon. N'utilisez jamais le cordon pour transporter, tirer ou débrancher l'outil électrique. Maintenez le cordon à l'écart des sources de chaleur, de l'huile, des objets à bords tranchants et des pièces en mouvement.** Le risque de choc électrique est plus élevé lorsque les cordons sont endommagés ou enchevêtrés.
5. **Lorsque vous utilisez un outil électrique à l'extérieur, utilisez un cordon prolongateur conçu pour l'usage extérieur.** Les risques de choc électrique est moindre lorsqu'un cordon conçu pour l'usage extérieur est utilisé.
6. **Si vous devez utiliser un outil électrique dans un endroit humide, utilisez une source d'alimentation protégée par un disjoncteur de fuite à la terre.** L'utilisation d'un disjoncteur de fuite à la terre réduit le risque de choc électrique.
7. **Si des accessoires sont fournis pour raccorder un appareil d'aspiration et de collecte de la poussière, assurez-vous qu'ils sont correctement raccordés et qu'ils sont utilisés de manière adéquate.** L'utilisation d'un appareil de collecte permet de réduire les risques liés à la présence de poussière dans l'air.

#### Utilisation et entretien des outils électriques

1. **Ne forcez pas l'outil électrique. Utilisez l'outil électrique adéquat suivant le type de travail à effectuer.** Si vous utilisez l'outil électrique adéquat et respectez le régime pour lequel il a été conçu, il effectuera un travail de meilleure qualité et plus sécuritaire.
2. **N'utilisez pas l'outil électrique s'il n'est pas possible de l'allumer et de l'éteindre avec son interrupteur.** Un outil électrique dont l'interrupteur est défectueux représente un danger et doit être réparé.
3. **Débranchez la fiche de la source d'alimentation et/ou retirez le bloc-piles de l'outil électrique avant d'effectuer tout réglage, de remplacer un accessoire ou de ranger l'outil électrique.** De telles mesures préventives réduisent les risques de démarrage accidentel de l'outil électrique.
4. **Après l'utilisation d'un outil électrique, rangez-le hors de portée des enfants et ne laissez aucune personne l'utiliser si elle n'est pas familiarisée avec l'outil électrique ou les présentes instructions d'utilisation.** Les outils électriques représentent un danger entre les mains de personnes qui n'en connaissent pas le mode d'utilisation.
5. **Veillez à l'entretien des outils électriques. Assurez-vous que les pièces mobiles ne sont pas désalignées ou coincées, qu'aucune pièce n'est cassée et que l'outil électrique n'a subi aucun dommage affectant son bon fonctionnement. Le cas échéant, faites réparer l'outil électrique avant de l'utiliser.** De nombreux accidents sont causés par des outils électriques mal entretenus.
6. **Maintenez les outils tranchants bien aiguisés et propres.** Un outil tranchant dont l'entretien est effectué correctement et dont les bords sont bien aiguisés risque moins de se coincer et sera plus facile à maîtriser.
7. **Utilisez l'outil électrique, ses accessoires, ses embouts, etc., en respectant les présentes instructions, en tenant compte des conditions de travail et du type de travail à effectuer.** L'utilisation d'un outil électrique pour d'autres usages que ceux prévus peut entraîner une situation dangereuse.

#### Utilisation et entretien des outils alimentés par batterie

1. **Pour recharger, utilisez uniquement le chargeur spécifié par le fabricant.** L'utilisation d'un chargeur conçu pour un type donné de bloc-piles comporte un risque d'incendie lorsqu'il est utilisé avec un autre type de bloc-piles.
2. **N'utilisez un outil électrique qu'avec le bloc-piles conçu spécifiquement pour cet outil.** Il y a un risque de blessure ou d'incendie si un autre bloc-piles est utilisé.

#### Sécurité personnelle

1. **Restez alerte, attentif à vos mouvements et faites preuve de bon sens lorsque vous utilisez un outil électrique. N'utilisez pas les outils électriques si vous êtes fatigué ou avez pris une drogue, de l'alcool ou un médicament.** Un moment d'inattention pendant l'utilisation d'un outil électrique peut entraîner une grave blessure.
2. **Portez des dispositifs de protection personnelle. Portez toujours une protection oculaire.** Les risques de blessure seront moins élevés si vous utilisez des dispositifs de protection tels qu'un masque anti-poussière, des chaussures à semelle antidérapante, une coiffure résistante ou une protection d'oreilles.
3. **Évitez les démarrages accidentels. Assurez-vous que l'interrupteur est en position d'arrêt avant de brancher l'outil à la prise de courant et/ou au bloc-piles, et avant de prendre ou de transporter l'outil.** Vous ouvrez la porte aux accidents si vous transportez les outils électriques avec le doigt sur l'interrupteur ou si vous les branchez alors que l'interrupteur est en position de marche.
4. **Retirez toute clé de réglage ou de serrage avant de mettre l'outil électrique sous tension.** Toute clé laissée en place sur une pièce rotative de l'outil électrique peut entraîner une blessure.
5. **Ne vous étirez pas exagérément. Assurez-vous d'une bonne prise au sol et d'un bon équilibre en tout temps.** Cela vous permettra d'avoir une meilleure maîtrise de l'outil électrique dans les situations imprévues.
6. **Portez des vêtements adéquats. Ne portez ni vêtements amples ni bijoux. Vous devez maintenir cheveux, vêtements et gants à l'écart des pièces en mouvement.** Les pièces en mouvement peuvent happer les vêtements amples, les bijoux et les cheveux longs.

3. **Lorsque vous n'utilisez pas le bloc-piles, rangez-le à l'écart des objets métalliques tels que trombones, pièces de monnaie, clés, clous, vis ou autres petits objets métalliques qui risqueraient d'établir une connexion entre les bornes.** La mise en court-circuit des bornes de batterie peut causer des brûlures ou un incendie.
4. **Dans des conditions d'utilisation inadéquates de la batterie, il peut y avoir fuite d'électrolyte; évitez tout contact avec ce liquide. En cas de contact accidentel, rincez avec beaucoup d'eau. Si le liquide pénètre dans vos yeux, il faut aussi consulter un médecin.** L'électrolyte qui s'échappe de la batterie peut causer des irritations ou des brûlures.
5. **N'utilisez pas une batterie ou un outil s'il est endommagé ou modifié.** Les batteries endommagées ou modifiées peuvent avoir un comportement imprévisible dont peut résulter un incendie, une explosion ou un risque de blessure.
6. **N'exposez pas une batterie ou un outil au feu ou à une température excessive.** L'exposition au feu ou à une température supérieure à 130 °C peut entraîner une explosion.
7. **Suivez toutes les instructions de charge et ne chargez pas la batterie ou l'outil à l'extérieur de la plage de température spécifiée dans les instructions.** Charger de manière inadéquate ou à des températures hors de la plage spécifiée peut endommager la batterie et augmenter le risque d'incendie.
3. **Évitez les environnements dangereux.** - N'utilisez pas les appareils dans les endroits humides ou mouillés.
4. **Éviter d'utiliser ou de charger l'appareil sous la pluie et dans les endroits humides.**
5. **Gardez les enfants à l'écart.** - Tous les visiteurs doivent être gardés à une bonne distance de la zone de travail.
6. **Portez des vêtements adéquats.** - Ne portez ni vêtements amples ni bijoux. Ils peuvent être happés par les pièces en mouvement. L'utilisation de gants en caoutchouc et de chaussures robustes est recommandée lors des travaux à l'extérieur. Si vos cheveux sont longs, recouvrez-les d'un filet de protection.
7. **Utilisez des dispositifs de sécurité. Portez toujours une protection oculaire.** Selon les conditions de travail, vous devez également porter un masque antipoussières, des chaussures de travail antidérapantes, un casque ou une protection auditive.
8. **Utilisez le bon appareil.** - N'utilisez l'appareil que pour effectuer le travail pour lequel il est conçu.
9. **Évitez les démarrages accidentels.** - Ne transportez pas l'appareil avec le doigt sur l'interrupteur. Avant d'insérer la batterie, assurez-vous que l'interrupteur est en position d'arrêt.
10. **Lorsque vous prenez ou tenez l'appareil, ne le saisissez pas par les lames de coupe dénudées ou par les bords tranchants.**
11. **Ne forcez pas l'appareil.** - Il fonctionnera mieux et présentera moins de risques de blessure si vous respectez la vitesse de travail pour laquelle il a été conçu.

#### Réparation

1. **Faites réparer votre outil électrique par un réparateur qualifié qui utilise des pièces de rechange identiques aux pièces d'origine.** Le maintien de la sûreté de l'outil électrique sera ainsi assuré.
2. **Suivez les instructions de lubrification et de remplacement des accessoires.**
3. **Maintenez les poignées de l'outil sèches, propres et exemptes d'huile ou de graisse.**
4. **Ne modifiez pas ou n'essayez pas de réparer l'appareil ou la batterie autrement que tel qu'indiqué dans les instructions d'utilisation et d'entretien.**
12. **Ne tendez pas trop les bras.** - Maintenez en tout temps une bonne prise au sol et un bon équilibre.
13. **Restez vigilant.** - Soyez attentif à vos gestes. Faites preuve de bon sens. N'utilisez pas l'appareil lorsque vous êtes fatigué.
14. **Après l'utilisation, rangez les appareils à l'intérieur.** - Lorsqu'ils ne sont pas utilisés, les appareils doivent être rangés à l'intérieur, dans un emplacement sec et élevé ou verrouillé, hors de la portée des enfants.
15. **Entretenez soigneusement l'appareil.** - Gardez les bords tranchants affûtés et propres pour un rendement optimal et pour réduire les risques de blessure. Suivez les instructions concernant le graissage et le remplacement des accessoires. Inspectez régulièrement le cordon de l'appareil, et s'il est endommagé, faites-le réparer par un centre de service après-vente agréé. Inspectez régulièrement les cordons prolongateurs et remplacez-les s'ils sont endommagés. Gardez les poignées de l'outil sèches, propres et sans traces d'huile ou de graisse.

### Consignes de sécurité pour taille-herbes sans fil

**⚠ MISE EN GARDE :** Lors de l'utilisation d'appareils de jardinage électriques, certaines précautions élémentaires doivent toujours être prises, dont les suivantes, pour réduire les risques d'incendie, de décharge électrique et de blessure :

### VEUILLEZ LIRE TOUTES LES INSTRUCTIONS.

1. **N'oubliez pas que cet appareil est toujours en état de marche, car il n'a pas à être branché sur une prise de courant.**
2. **N'utilisez pas les appareils dans des atmosphères explosives, telles que celles contenant des liquides, gaz ou poussières inflammables.** Les appareils produisent des étincelles qui peuvent mettre feu aux poussières ou aux émanations.
16. **Vérifiez les pièces endommagées.** - Avant de poursuivre l'utilisation, toute pièce (garde, etc.) endommagée doit être examinée soigneusement pour vérifier si elle fonctionnera adéquatement et sera en mesure de remplir sa fonction. Vérifiez que les pièces mobiles sont bien alignées et qu'elles ne sont pas coincées, qu'il n'y a pas de pièces cassées ou mal montées, et toute autre condition pouvant affecter leur fonctionnement. Toute pièce endommagée (garde, etc.) doit être correctement réparée ou remplacée par un centre de service après-vente agréé, à moins d'indication contraire dans le présent manuel.

## Consignes de sécurité pour taille-haie sans fil

17. **Les appareils alimentés par des batteries intégrées ou des batteries séparées ne doivent être rechargés qu'avec le chargeur spécifié pour lesdites batteries.** Un chargeur adéquat pour un certain type de batterie peut présenter un risque d'incendie s'il est utilisé avec une autre batterie.
18. **N'utilisez les appareils alimentés par batterie qu'avec les batteries spécifiquement désignées.** L'utilisation de toutes autres batteries peut présenter un risque d'incendie.
19. **Avant de mettre l'appareil en marche, retirez les clés de réglage et autres clés.** Une clé laissée en place sur une pièce rotative de l'appareil peut entraîner une blessure.
20. **N'utilisez pas l'appareil si son interrupteur ne l'allume pas ou ne l'éteint pas.** Tout appareil qui ne peut être commandé à l'aide de son interrupteur est dangereux et doit être réparé.
21. **Utilisez uniquement les accessoires recommandés par le fabricant pour votre modèle.** Les accessoires adéquats pour un certain appareil peuvent présenter un risque de blessure s'ils sont utilisés sur un autre appareil.
22. **La réparation de l'appareil ne doit être effectuée que par le personnel de réparation qualifié.** L'exécution des réparations ou de l'entretien par un personnel non qualifié peut entraîner un risque de blessure.
23. **Pour réparer un appareil, utilisez uniquement des pièces de rechange identiques aux pièces originales. Suivez les instructions de la section Entretien du présent manuel.** L'utilisation de pièces non autorisées ou le non-respect des instructions d'entretien peut présenter un risque de décharge électrique ou de blessure.
24. **Gardez les mains à l'écart des lames.**
25. **Avant de couper l'herbe, enlevez de la zone de travail les corps étrangers tels que pierres et gros bâtons. Évitez que des corps étrangers ne pénètrent entre les lames, autrement ils risquent de bloquer les lames.** Le cas échéant, éteignez l'appareil. Retirez ensuite l'objet qui bloque les lames.
26. **Après l'utilisation, veillez à recouvrir les lames du couvre-lames.**
27. **Si les lames cessent de bouger en raison de la présence de corps étrangers entre les lames pendant l'utilisation, éteignez l'outil et retirez la batterie, puis enlevez les corps étrangers à l'aide d'une pince ou autre outil.** En retirant les corps étrangers avec la main, vous risquez de vous blesser car les lames peuvent bouger lors du retrait des corps étrangers.

**⚠ MISE EN GARDE : NE** vous laissez PAS tromper (au fil d'une utilisation répétée) par un sentiment d'aisance ou de familiarité avec le produit en négligeant les consignes de sécurité qui accompagnent le produit. **UNE UTILISATION INCORRECTE** ou le non-respect des règles de sécurité énoncées dans le présent manuel d'instructions peut provoquer des blessures graves.

1. **Gardez toutes les parties du corps à l'écart de la lame de couteau.** Pendant que les lames sont en mouvement, évitez de retirer le matériau coupé ou de tenir le matériau à couper. Les lames continuent de tourner en roue libre après la mise hors tension. Avant de retirer un matériau coincé, veillez à mettre l'interrupteur en position d'arrêt. Tout moment d'inattention pendant l'utilisation du taille-haie peut entraîner une grave blessure.
2. **Transportez le taille-haie par sa poignée, avec la lame de couteau arrêtée.** La manipulation adéquate du taille-haie réduira les risques de blessure au contact des lames de couteau.
3. **Ne tenez l'outil électrique que par ses surfaces de prises isolées, car la lame de coupe peut toucher un câblage dissimulé.** Au contact d'un fil sous tension, les lames de couteau peuvent mettre sous tension les pièces métalliques découvertes de l'outil électrique et transmettre une décharge électrique à l'utilisateur.
4. **DANGER - Gardez les mains à l'écart de la lame.** Le contact avec la lame entraînera une grave blessure.
5. **N'utilisez pas le taille-haie sous la pluie ou dans des conditions mouillées ou très humides.** Le moteur électrique n'est pas imperméable à l'eau.
6. **Les nouveaux utilisateurs doivent se faire expliquer l'utilisation du taille-haie par un utilisateur expérimenté.**
7. **Le taille-haie ne doit pas être utilisé par les enfants ou par les jeunes de moins de 18 ans.** Les jeunes de 16 ans et plus peuvent faire exception à cette restriction s'ils reçoivent une formation sous la supervision d'un expert.
8. **Utilisez le taille-haie seulement si vous êtes en bon état physique.** Si vous êtes fatigué, votre concentration sera moindre. Soyez tout spécialement prudent à la fin de la journée de travail. Effectuez le travail calmement et prudemment. L'utilisateur est responsable de tout dommage encouru par des tiers.
9. **N'utilisez jamais le taille-haie lorsque vous êtes sous l'influence de l'alcool, d'une drogue ou d'un médicament.**
10. **Les gants de travail en cuir résistant font partie de l'équipement de base du taille-haie et doivent toujours être portés pendant son utilisation. Portez également des chaussures robustes à semelle antidérapante.**
11. **Avant de commencer le travail, assurez-vous que le taille-haie est sécuritaire et en bon état de marche. Assurez-vous que les gardes sont bien installés.** Le taille-haie ne doit être utilisé qu'une fois complètement assemblé.
12. **Avant de commencer le travail, assurez-vous d'une bonne prise au sol.**
13. **Tenez l'outil fermement pendant l'utilisation.**
14. **Ne faites pas inutilement tourner l'outil à vide.**

15. **Coupez immédiatement le contact et retirez la batterie si le couteau entre en contact avec une clôture ou autre objet dur. Vérifiez l'absence de dommages sur le couteau, et réparez-le immédiatement s'il est endommagé.**
16. **Avant de vérifier le couteau, d'en faire l'entretien ou d'enlever une matière coincée, éteignez toujours la taille-haie et retirez la batterie.**
17. **Avant d'effectuer tout travail d'entretien sur le taille-haie, éteignez-le et retirez la batterie.**
18. **Lorsque vous déplacez le taille-haie vers un autre emplacement, y compris pendant l'exécution du travail, retirez toujours la batterie et mettez le couvre-lames sur les lames de couteau. Ne transportez jamais le taille-haie pendant que le couteau est en mouvement. Ne saisissez jamais le couteau avec les mains.**
19. **Nettoyez le taille-haie et tout spécialement le couteau après l'utilisation, ainsi qu'avant de ranger le taille-haie pour une période prolongée. Huilez légèrement le couteau et mettez le couvercle. Le couvercle fourni avec l'appareil peut être accroché à un mur pour un rangement sécuritaire et pratique du taille-haie.**
20. **Rangez le taille-haie dans une pièce sèche avec son couvercle posé. Gardez-le hors de la portée des enfants. Ne rangez jamais le taille-haie à l'extérieur.**
21. **Ne pointez jamais les lames de cisaillement vers vous-même ou d'autres personnes.**
22. **Si les lames cessent de bouger en raison de la présence de corps étrangers entre les lames pendant l'utilisation, éteignez l'outil et retirez la batterie, puis enlevez les corps étrangers à l'aide d'une pince ou autre outil. En retirant les corps étrangers avec la main, vous risquez de vous blesser car les lames peuvent bouger lors du retrait des corps étrangers.**
23. **Évitez les environnements dangereux. N'utilisez pas l'outil dans les endroits humides ou mouillés, et ne l'exposez pas à la pluie. L'infiltration d'eau dans l'outil accroît le risque de décharge électrique.**
24. **Ne jetez pas la/les batterie(s) au feu. L'élément pourrait exploser. Vérifiez la réglementation locale pour savoir s'il existe des directives particulières sur l'élimination.**
25. **N'ouvrez pas et n'endommagez pas la/les batterie(s). L'électrolyte qui s'échappe est corrosif et peut provoquer des dommages aux yeux ou à la peau. Il peut être toxique s'il est ingéré.**
26. **Ne chargez pas la batterie sous la pluie ou dans les emplacements humides.**
27. **Avant d'utiliser l'outil, assurez-vous qu'il n'y a pas de corps étrangers tels que clôtures grillagées ou câblage dissimulé dans les haies et buissons.**

## CONSERVEZ CES INSTRUCTIONS.

**⚠ MISE EN GARDE : NE** vous laissez PAS tromper (au fil d'une utilisation répétée) par un sentiment d'aisance ou de familiarité avec le produit en négligeant les consignes de sécurité qui accompagnent le produit. **UNE UTILISATION INCORRECTE ou le non-respect des règles de sécurité énoncées dans le présent manuel d'instructions peut provoquer des blessures graves.**

## Symboles

Les symboles utilisés pour l'outil sont indiqués ci-dessous.

v	volts
— ---	courant continu
n	vitesse nominale
n <sub>0</sub>	vitesse à vide
... /min r /min	tours ou alternances par minute

## Consignes de sécurité importantes pour la batterie

1. **Avant d'utiliser la batterie, lisez toutes les instructions et les mises en garde apposées sur (1) le chargeur de batterie, (2) la batterie et (3) le produit utilisant la batterie.**
2. **Ne démontez pas et ne modifiez pas la batterie.** Cela peut entraîner un incendie, une chaleur excessive ou une explosion.
3. **Cessez immédiatement l'utilisation si le temps de fonctionnement devient excessivement court. Il y a un risque de surchauffe, de brûlures, voire d'explosion.**
4. **Si l'électrolyte pénètre dans vos yeux, rincez-les à l'eau claire et consultez immédiatement un médecin. Il y a un risque de perte de la vue.**
5. **Ne court-circuitez pas la batterie :**
  - (1) **Ne touchez les bornes avec aucun matériau conducteur.**
  - (2) **Évitez de ranger la batterie dans un conteneur avec d'autres objets métalliques tels que clous, pièces de monnaie, etc.**
  - (3) **Évitez d'exposer la batterie à l'eau ou à la pluie.**

Un court-circuit de la batterie pourrait provoquer un fort courant, une surchauffe, parfois des brûlures et même une panne.
6. **Ne rangez pas et n'utilisez pas l'outil ou la batterie dans des emplacements où la température peut atteindre ou dépasser 50 °C (122 °F).**
7. **Ne jetez pas la batterie au feu même si elle est sérieusement endommagée ou complètement épuisée. La batterie peut exploser au contact du feu.**

8. Évitez de clouer, de couper, d'écraser, de lancer ou d'échapper la batterie, ou de heurter un objet dur contre la batterie. Cela peut entraîner un incendie, une chaleur excessive ou une explosion.
9. N'utilisez pas une batterie si elle est endommagée.
10. Les batteries lithium-ion fournies sont soumises aux exigences de la législation sur les marchandises dangereuses. Des exigences particulières sur l'emballage et l'étiquetage doivent être respectées lors du transport commercial par des tiers, des transitaires, etc. Pour préparer la marchandise à expédier, consultez un expert en matériaux dangereux si nécessaire. Respectez aussi les éventuelles réglementations nationales plus détaillées. Recouvrez de ruban isolant les contacts exposés, et emballez la batterie de sorte qu'elle ne puisse pas se déplacer à l'intérieur de l'emballage.
11. Lors de l'élimination de la batterie, retirez-la de l'outil et éliminez-la dans un endroit sûr. Respectez la réglementation locale concernant l'élimination de la batterie.
12. N'utilisez les batteries qu'avec les produits spécifiés par Makita. Installer les batteries sur des produits non conformes peut entraîner un incendie, une chaleur excessive, une explosion ou une fuite d'électrolyte.
13. Si l'outil reste inutilisé pour une période prolongée, la batterie doit en être retirée.
14. Pendant et après l'utilisation, la batterie peut accumuler de la chaleur, ce qui peut causer des brûlures ou des brûlures à basse température. Faites attention lors de la manipulation des batteries chaudes.
15. Ne touchez pas la borne de l'outil immédiatement après l'utilisation, car elle peut être assez chaude pour causer des brûlures.
16. Ne laissez pas les copeaux, les poussières ou la terre se coincer dans les bornes, les trous et les rainures de la batterie. Cela pourrait causer un réchauffement, un incendie, un éclatement et une défaillance de l'outil ou de la batterie et entraîner des brûlures ou des blessures corporelles.
17. À moins que l'outil ne soit compatible avec l'utilisation à proximité des lignes électriques haute tension, n'utilisez pas la batterie à proximité d'une ligne électrique haute tension. Cela peut entraîner un dysfonctionnement ou une panne de l'outil ou de la batterie.
18. Gardez la batterie à l'écart des enfants.

## CONSERVEZ CES INSTRUCTIONS.

**ATTENTION** : Utilisez exclusivement les batteries fabriquées par Makita. Les batteries autres que celles fabriquées par Makita ou les batteries modifiées peuvent exploser et causer un incendie, une blessure ou des dommages. Cela annule aussi la garantie Makita de l'outil et du chargeur Makita.

## Conseils pour maintenir la durée de service maximale de la batterie

1. Rechargez la batterie avant qu'elle ne soit complètement déchargée. Arrêtez toujours l'outil et rechargez la batterie quand vous remarquez que la puissance de l'outil diminue.
2. Ne rechargez jamais une batterie complètement chargée. La surcharge réduit la durée de service de la batterie.
3. Chargez la batterie à une température ambiante comprise entre 10 °C et 40 °C (50 °F et 104 °F). Si la batterie est chaude, laissez-la refroidir avant de la charger.
4. Lorsque vous n'utilisez pas la batterie, retirez-la de l'outil ou du chargeur.

## DESCRIPTION DU FONCTIONNEMENT

**ATTENTION** : Assurez-vous toujours que l'outil est éteint et que sa batterie est retirée avant de l'ajuster ou de vérifier son fonctionnement.

### Utilisation de l'outil en tant que taille-haie/taille-herbes sans fil

#### Pour UM600D

Cet outil peut être utilisé comme taille-haie sans fil en installant les lames de cisaillement pour taille-haie (accessoire en option).

#### Pour UH201D

Cet outil peut être utilisé comme taille-herbes sans fil en installant les lames de cisaillement pour taille-herbes (accessoire en option).

### Installation ou retrait de la batterie

**ATTENTION** : Éteignez toujours l'outil avant d'installer ou de retirer la batterie.

**ATTENTION** : Tenez fermement l'outil et la batterie lors de l'installation ou du retrait de cette dernière. Si l'outil et la batterie ne sont pas tenus fermement, ils risquent de vous glisser des mains et de subir des dommages, ou encore de vous blesser.

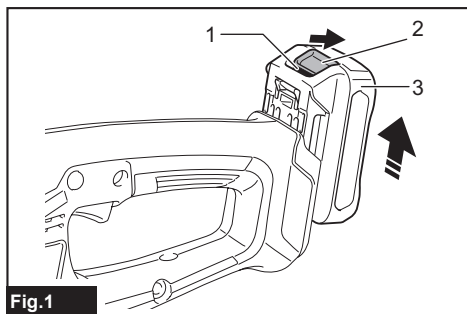


Fig.1

► 1. Indicateur rouge 2. Bouton 3. Batterie



Pour retirer la batterie, faites-la glisser hors de l'outil tout en glissant le bouton qui se trouve à l'avant.

Pour installer la batterie, alignez sa languette sur la rainure pratiquée dans le boîtier et glissez la batterie en place. Insérez-la à fond jusqu'à ce que vous entendiez un léger dé clic. Si vous pouvez voir l'indicateur rouge tel qu'illustré sur la figure, cela signifie qu'elle n'est pas complètement verrouillée.

**⚠ ATTENTION : Installez toujours la batterie à fond jusqu'à ce que vous ne puissiez plus voir l'indicateur rouge.** Autrement elle risque de tomber accidentellement de l'outil et d'entraîner des blessures.

**⚠ ATTENTION : Ne forcez pas sur la batterie pour l'installer.** Si la batterie ne glisse pas facilement, c'est qu'elle n'est pas insérée correctement.

## Affichage de la charge restante de la batterie

*Uniquement pour les batteries avec voyant*

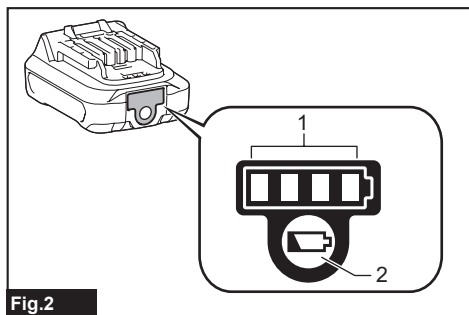


Fig.2

► 1. Témoins indicateurs 2. Bouton de vérification

Appuyez sur le bouton de vérification de la batterie pour afficher la charge restante de la batterie. Les témoins indicateurs s'allument pendant quelques secondes.

Témoins indicateurs		Capacité restante
Allumé	Éteint	
■ ■ ■ ■	□	75 % à 100 %
■ ■ ■ □	□	50 % à 75 %
■ ■ □ □	□ □	25 % à 50 %
■ □ □ □	□ □ □ □	0 % à 25 %

**NOTE :** Suivant les conditions d'utilisation et la température ambiante, il se peut que l'indication soit légèrement différente de la charge réelle.

## Dispositif de protection de l'outil et de la batterie

L'outil est équipé d'un système de protection d'outil/batterie. Ce système coupe automatiquement l'alimentation du moteur pour augmenter la durée de vie de l'outil et de la batterie. L'outil s'arrête automatiquement pendant l'utilisation lorsque l'outil ou la batterie est dans l'une des situations suivantes :

### Protection contre la surcharge

Lorsque la batterie est utilisée d'une manière qui lui fait consommer un courant anormalement élevé, l'outil s'arrête automatiquement. Dans cette situation, éteignez l'outil et arrêtez l'activité qui entraîne une surcharge de l'outil. Rallumez ensuite l'outil pour redémarrer.

### Protection contre la surchauffe

Lorsque l'outil ou la batterie surchauffe, l'outil s'arrête automatiquement et la lampe clignote. Le cas échéant, laissez refroidir l'outil et la batterie avant de rallumer l'outil.

### Protection contre la décharge excessive

Lorsque la charge de la batterie n'est pas suffisante, l'outil s'arrête automatiquement. Si vous démarrez l'outil, le moteur tourne de nouveau mais s'arrête aussitôt. Le cas échéant, retirez la batterie de l'outil et chargez-la.

## Interrupteur

**⚠ MISE EN GARDE :** Avant d'insérer la batterie dans l'outil, vérifiez toujours que la gâchette fonctionne bien et revient en position d'arrêt lorsque libérée.

**⚠ MISE EN GARDE :** Pour votre sécurité, cet outil est équipé d'un bouton de sécurité qui prévient son démarrage accidentel. N'utilisez jamais l'outil s'il démarre en appuyant sur la gâchette sans avoir enfoncé le bouton de sécurité. Demandez à votre centre de service après-vente local Makita de le réparer.

**⚠ MISE EN GARDE :** Ne désactivez jamais la fonction de verrouillage, et ne collez jamais le bouton de sécurité en position enfoncée.

**AVIS : Ne forcez pas la gâchette sans avoir enfoncé le bouton de sécurité.** Cela pourrait casser l'interrupteur.

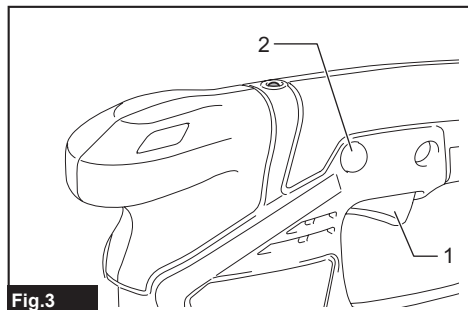


Fig.3

► 1. Gâchette 2. Bouton de sécurité

L'outil est doté d'un bouton de sécurité pour éviter l'activation accidentelle de la gâchette. Pour faire démarrer l'outil, enfoncez le bouton de sécurité et appuyez sur la gâchette. Pour arrêter l'outil, relâchez la gâchette. Le bouton de sécurité peut être enfoncé du côté gauche ou du côté droit.

## Lampe témoin

La lampe témoin clignote ou s'allume lorsque la charge restante de la batterie est faible ou épuisée. La lampe témoin s'allume également lorsque l'outil est surchargé.

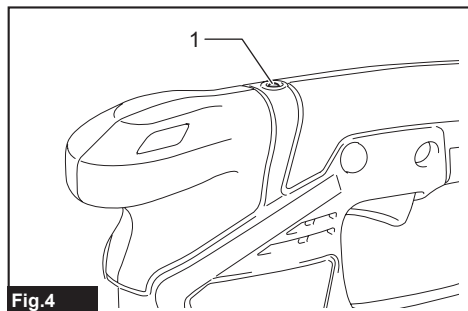


Fig.4

► 1. Lampe témoin

### État de la lampe et mesure à prendre

Lampe témoin	État	Mesure à prendre
La lampe clignote en rouge.	La charge restante de la batterie est faible.	Chargez la batterie.
La lampe s'allume en rouge. *	L'outil s'est arrêté parce que la charge restante de la batterie est épuisée.	Chargez la batterie.
	L'outil s'est arrêté à cause d'une surcharge.	Éteignez l'outil.

\* Le moment de l'allumage de la lampe témoin dépend de la température ambiante de la zone de travail et de l'état de la batterie.

## Réglage de la hauteur de tonte (pour le taille-herbes)

**ATTENTION :** Lorsque vous changez la hauteur de tonte, veillez à fixer le couvre-lames et prenez garde de vous coincer les doigts entre l'outil et le collecteur d'herbes.

La hauteur de tonte est réglable sur trois niveaux (15 mm (9/16"), 20 mm (13/16") et 25 mm (1")), en modifiant la position de fixation du collecteur d'herbes. La hauteur de tonte, sans le collecteur d'herbes, est d'environ 10 mm (3/8").

1. Faites glisser le collecteur d'herbes vers l'avant de l'outil.

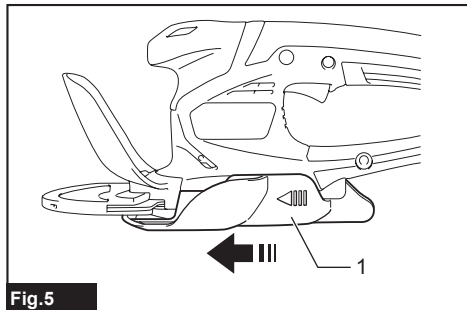


Fig.5

► 1. Collecteur d'herbes

2. Modifiez la position de fixation du collecteur d'herbes en le déplaçant dans le sens de la flèche.

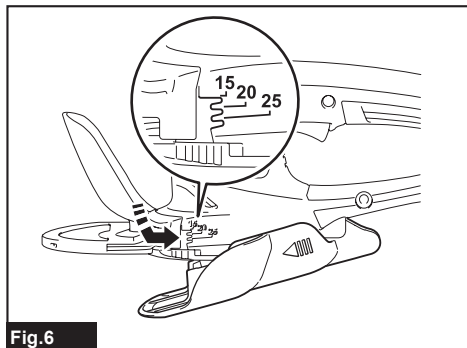


Fig.6

**NOTE :** La valeur de hauteur de tonte est approximative. La hauteur de tonte réelle peut varier suivant l'état du gazon ou du sol.

**NOTE :** Pour obtenir la hauteur désirée, faites un essai de tonte à un emplacement moins apparent.

## ASSEMBLAGE

**ATTENTION** : Assurez-vous toujours que l'outil est éteint et que sa batterie est retirée avant d'effectuer tout travail dessus.

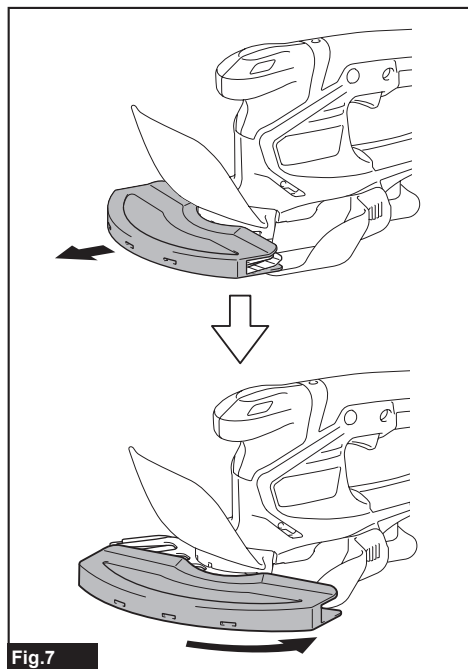
**ATTENTION** : Lorsque vous remplacez les lames de cisaillement, portez toujours des gants et fixez le couvre-lames de sorte que vos mains et votre visage ne touchent pas directement les lames.

**AVIS** : Lorsque vous remplacez les lames de cisaillement, n'essayez pas la graisse de l'engrenage et de la manivelle.

## Pose ou retrait du couvre-lames pour taille-herbes

**ATTENTION** : Prenez garde de toucher les lames en posant ou retirant le couvre-lames.

Pour retirer le couvre-lames, tirez légèrement dessus puis faites-le glisser sur le côté. Pour poser le couvre-lames, effectuez la procédure inverse.

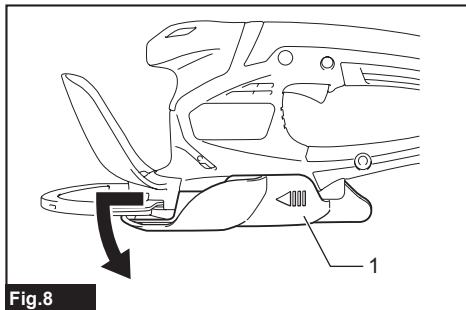


## Pose ou retrait du collecteur d'herbes

**ATTENTION** : Lorsque vous posez ou retirez le collecteur d'herbes, veillez à fixer le couvre-lames et prenez garde de vous coincer les doigts entre l'outil et le collecteur d'herbes.

### Retrait du collecteur d'herbes

1. Libérez des rainures de l'outil les parties saillantes du collecteur d'herbes, tout en faisant glisser le collecteur d'herbes vers l'avant de l'outil.

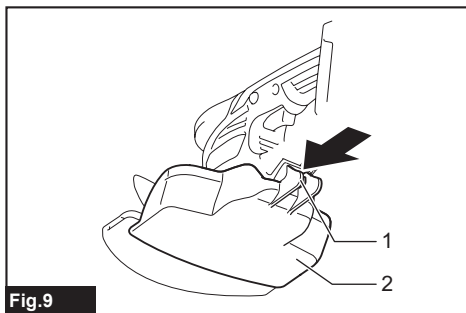


► 1. Collecteur d'herbes

2. Libérez de l'outil la charnière du collecteur d'herbes.

### Pose du collecteur d'herbes

1. Accrochez la charnière du collecteur d'herbes à la rainure de l'outil.



► 1. Charnière 2. Collecteur d'herbes

2. Alignez les parties saillantes du collecteur d'herbes sur les rainures de l'outil en faisant glisser le collecteur d'herbes vers l'avant de l'outil et en le déplaçant dans le sens de la flèche.

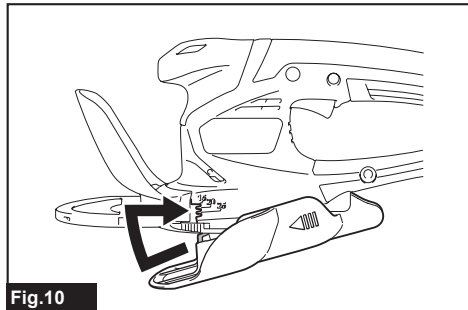


Fig.10

**AVIS :** Ne fixez pas par la force la charnière du collecteur d'herbes à l'outil après avoir aligné les parties saillantes du collecteur d'herbes sur les rainures de l'outil.

## Pose ou retrait des lames de cisaillement pour taille-herbes

**AVIS :** En cas d'usure des pièces autres que les lames de cisaillement, telles que la manivelle, demandez à un centre de service après-vente agréé Makita de remplacer ou réparer les pièces.

### Retrait des lames de cisaillement

1. Retirez le collecteur d'herbes et retournez l'outil sur lui-même.

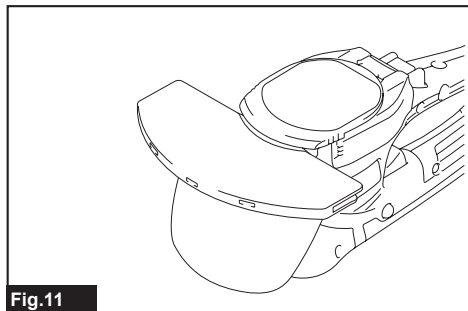




Fig.11

2. Tout en appuyant sur le levier de verrouillage, tournez le sous-couvercle dans le sens contraire des aiguilles d'une montre jusqu'à ce que le symbole  du sous-couvercle soit aligné sur le symbole  du levier de verrouillage.

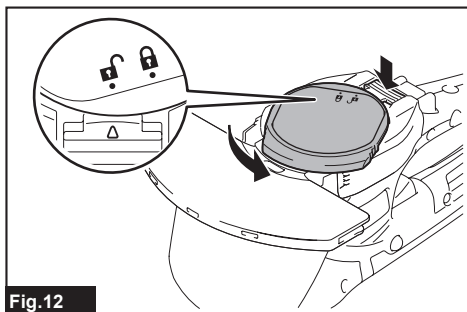


Fig.12

3. Retirez le sous-couvercle, les lames de cisaillement et la manivelle.

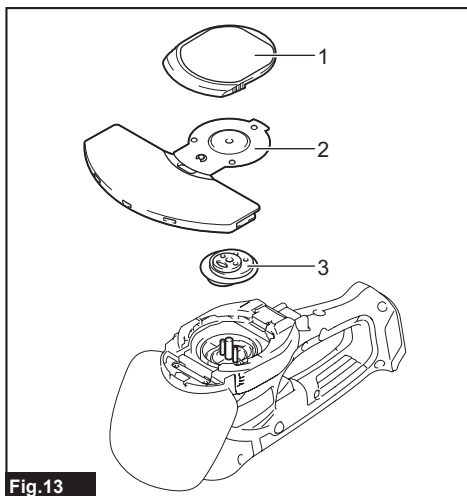


Fig.13

► 1. Sous-couvercle 2. Lames taille-herbes 3. Manivelle

### Pose des lames taille-herbes

1. Préparez la manivelle, le sous-couvercle et les nouvelles lames taille-herbes.

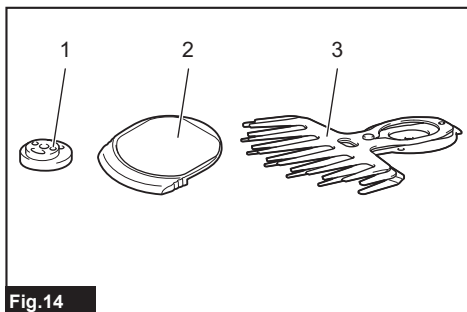


Fig.14

► 1. Manivelle 2. Sous-couvercle 3. Lames taille-herbes

2. Retirez le couvre-lames des lames taille-herbes usées, puis fixez-le aux nouvelles.

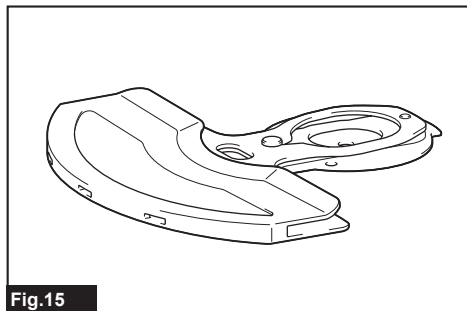


Fig.15

3. Ajustez les trois broches de sorte qu'elles soient alignées sur la ligne d'alignement.

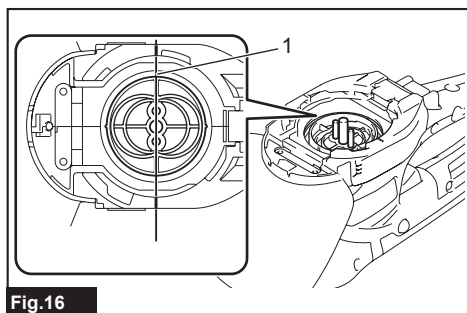


Fig.16

- 1. Ligne d'alignement

4. Appliquez une petite quantité de graisse sur la bordure de la manivelle. Fixez la manivelle aux broches avec les petits ronds et le grand rond orientés vers le haut.

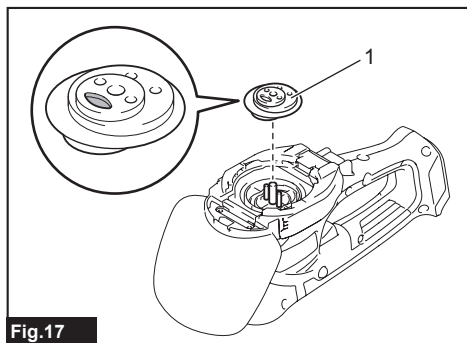


Fig.17

- 1. Manivelle

5. Ajustez les lames et la plaque de base de sorte que le trou de la plaque de base et les deux parties saillantes des lames soient alignés.

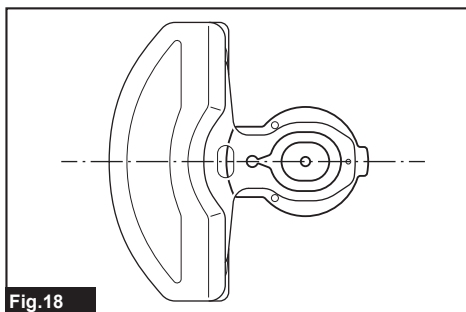


Fig.18

6. Retournez les lames de cisailment sur elles-mêmes et posez-les de sorte que les broches de l'outil pénètrent dans le trou de la plaque de base. Assurez-vous que les lames de cisailment sont bien fixées en place.

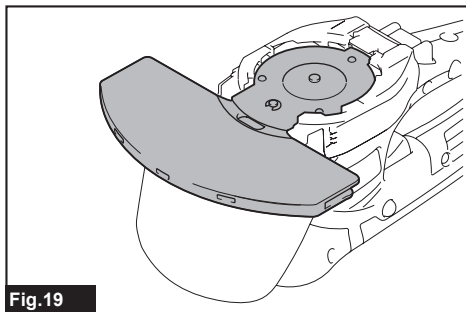
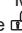



Fig.19

7. Mettez le sous-couvercle de sorte que le symbole  du sous-couvercle soit aligné sur le symbole  du levier de verrouillage.

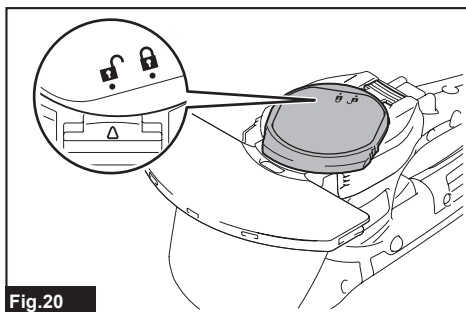




Fig.20

8. Tout en appuyant sur le sous-couvercle, tournez-le dans le sens des aiguilles d'une montre jusqu'à ce que le symbole  du sous-couvercle soit aligné sur le symbole  du levier de verrouillage.

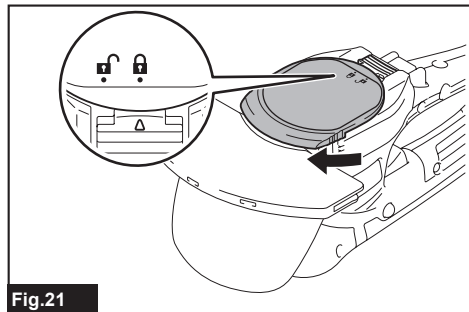


Fig.21

9. Assurez-vous que le levier de verrouillage pénètre dans la rainure du sous-couvercle.

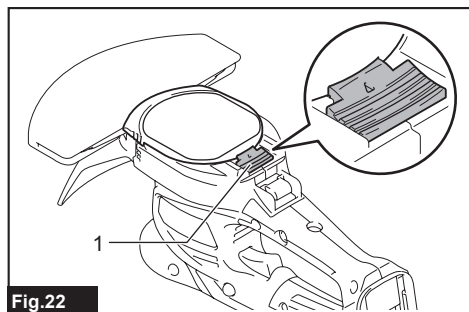


Fig.22

- 1. Levier de verrouillage

**ATTENTION** : N'utilisez jamais l'outil sans poser le sous-couvercle.

10. Retirez le couvre-lames, puis allumez l'outil pour vérifier s'il fonctionne bien.

**AVIS** : Si les lames de cisaillement ne fonctionnent pas bien, c'est qu'elles ne s'engagent pas bien dans la manivelle. Retirez les lames et réinstallez-les.

## Pose ou retrait des lames de cisaillement pour taille-haie

**ATTENTION** : Fixez le couvre-lames avant de retirer ou de poser les lames de cisaillement.

**AVIS** : En cas d'usure des pièces autres que les lames de cisaillement, telles que la manivelle, demandez à un centre de service après-vente agréé Makita de remplacer ou réparer les pièces.

### Retrait des lames de cisaillement

1. Retournez l'outil sur lui-même.

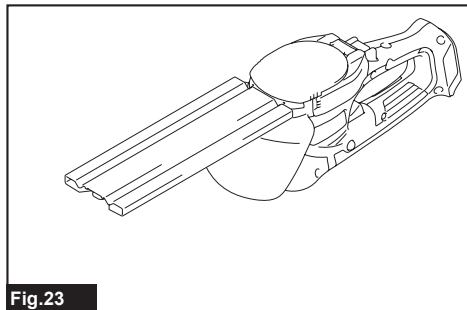




Fig.23

2. Tout en appuyant sur le levier de verrouillage, tournez le sous-couvercle dans le sens contraire des aiguilles d'une montre jusqu'à ce que le symbole  du sous-couvercle soit aligné sur le symbole  du levier de verrouillage.

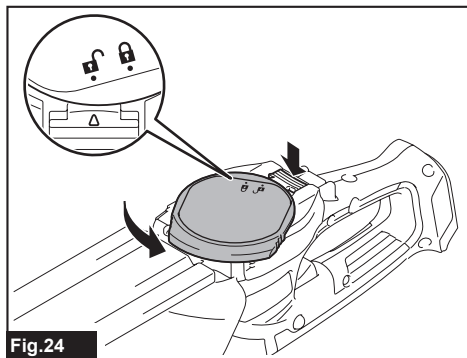


Fig.24

3. Retirez le sous-couvercle.

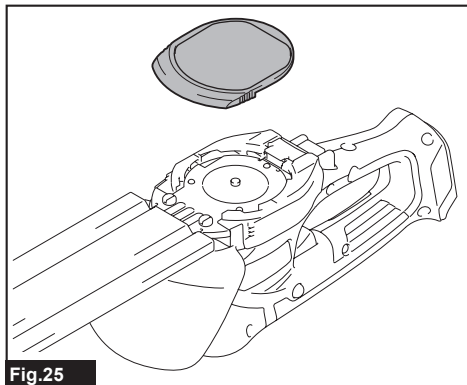


Fig.25

4. Desserrez les deux vis à l'aide d'un tournevis, et retirez les lames de cisaillement.

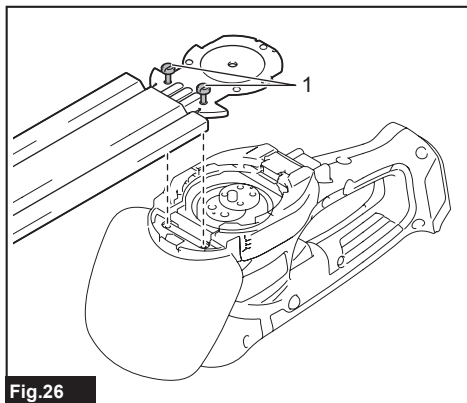


Fig.26

► 1. Vis

**NOTE :** Il est possible de retirer les lames de cisaillement sans retirer les vis.

5. Retirez la manivelle des lames de cisaillement.

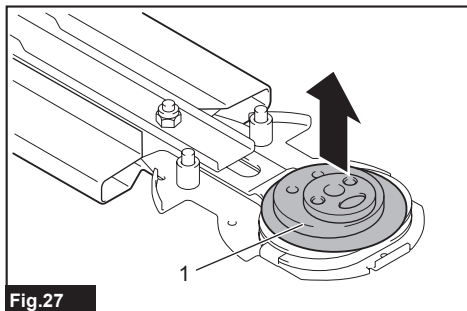


Fig.27

► 1. Manivelle

**NOTE :** La manivelle peut rester dans l'outil.

Fixez le couvre-lames et la boîte de rangement aux lames de cisaillement retirées, puis rangez les lames.

## Pose des lames taille-haie

1. Préparez la manivelle, le sous-couvercle et les nouvelles lames taille-haie.

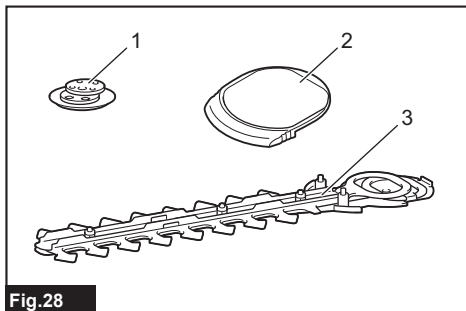


Fig.28

► 1. Manivelle 2. Sous-couvercle 3. Lames taille-haie

2. Fixez le couvre-lames aux lames taille-haie.

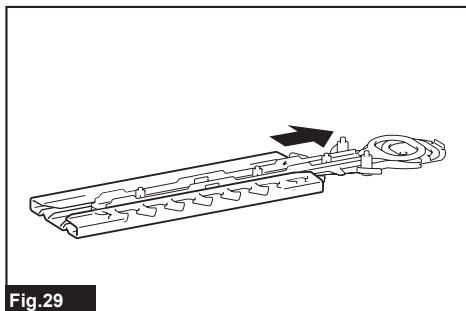


Fig.29

3. Ajustez les trois broches de sorte qu'elles soient alignées sur la ligne d'alignement.

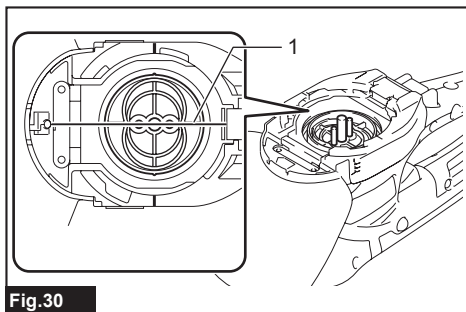


Fig.30

► 1. Ligne d'alignement



4. Appliquez une petite quantité de graisse sur la bordure de la manivelle. Fixez la manivelle aux broches avec les petits ronds et le grand rond orientés vers le bas.

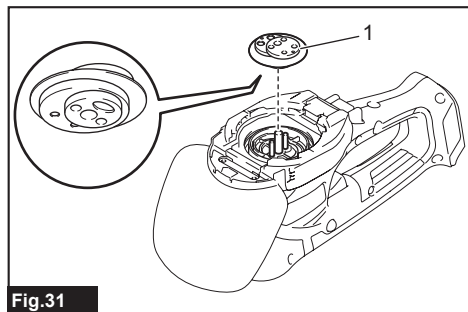


Fig.31

- 1. Manivelle

5. Faites glisser les lames de cisaillement de sorte que le trou de la plaque de base se trouve au centre des bagues des lames.

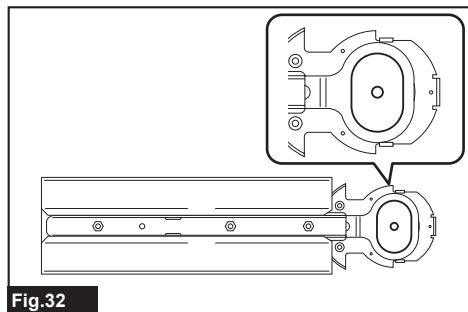


Fig.32

6. Retournez les lames de cisaillement sur elles-mêmes et posez-les de sorte que la broche de l'outil pénètre dans le trou des lames de cisaillement. Insérez la griffe de la plaque de base dans la rainure de l'outil. Assurez-vous que les lames de cisaillement sont bien fixées en place.

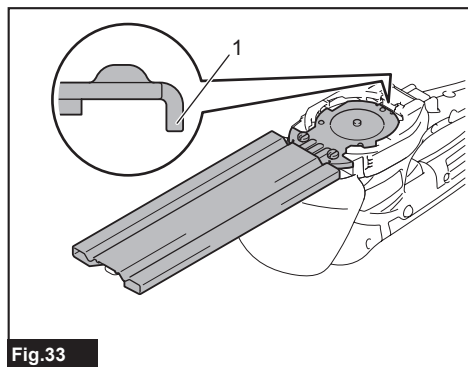


Fig.33

- 1. Griffes

7. Serrez les deux vis fermement à l'aide d'un tournevis.

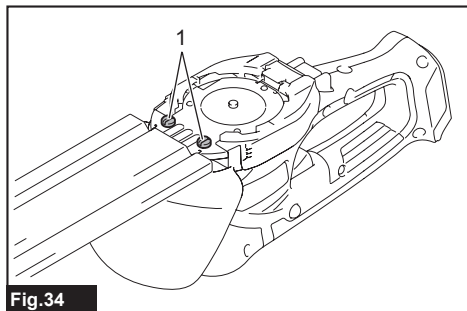




Fig.34

- 1. Vis

8. Mettez le sous-couvercle de sorte que le symbole  du sous-couvercle soit aligné sur le symbole  du levier de verrouillage.

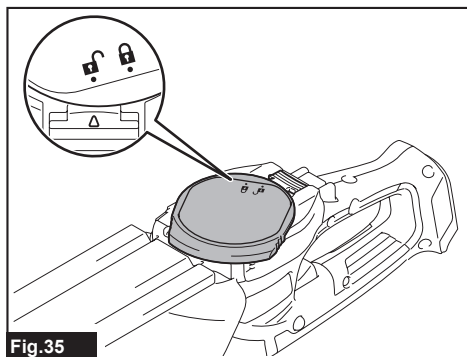




Fig.35

9. Tout en appuyant sur le sous-couvercle, tournez-le dans le sens des aiguilles d'une montre jusqu'à ce que le symbole  du sous-couvercle soit aligné sur le symbole .

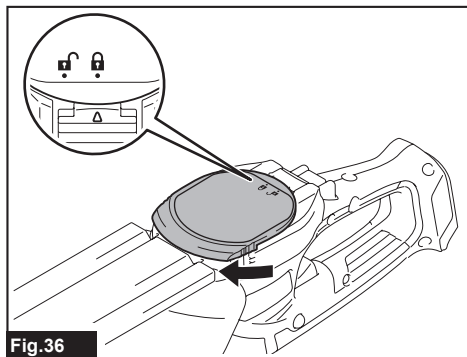


Fig.36

10. Assurez-vous que le levier de verrouillage pénètre dans la rainure du sous-couvercle.

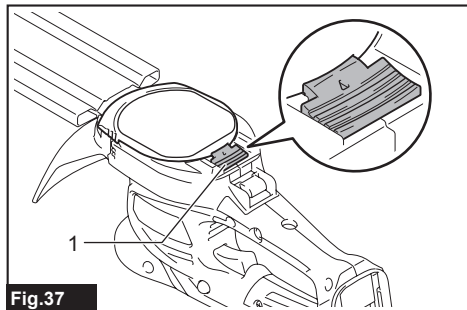


Fig.37

► 1. Levier de verrouillage

**ATTENTION** : N'utilisez jamais l'outil sans poser le sous-couvercle.

11. Retirez le couvre-lames, puis allumez l'outil pour vérifier s'il fonctionne bien.

**AVIS** : Si les lames de cisaillement ne fonctionnent pas bien, c'est qu'elles ne s'engagent pas bien dans la manivelle. Retirez les lames et réinstallez-les.

## Pose ou retrait du collecteur de copeaux

Accessoire en option

**ATTENTION** : Lorsque vous posez ou retirez le collecteur de copeaux, portez toujours des gants et fixez le couvre-lames de sorte que vos mains et votre visage ne touchent pas directement la lame.

Le collecteur de copeaux rassemble les feuilles rejetées et facilite grandement le nettoyage par la suite. Il peut être posé d'un côté ou de l'autre de l'outil.

Pour poser le collecteur de copeaux, pressez-le contre les lames de cisaillement de sorte que les crochets pénètrent dans les trous des lames de cisaillement.

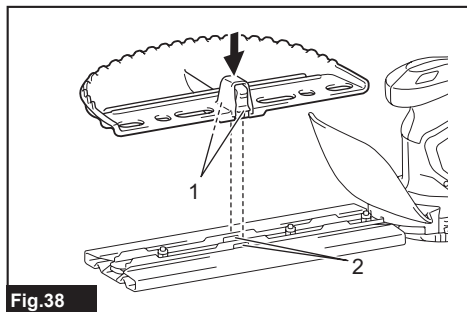


Fig.38

► 1. Crochets 2. Trous

Pour retirer le collecteur de copeaux, pressez les leviers des deux côtés pour libérer les crochets.

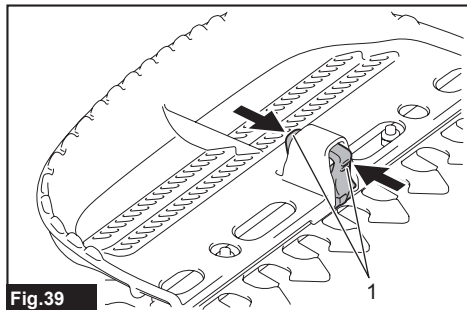


Fig.39

► 1. Leviers

**AVIS** : N'essayez jamais de retirer le collecteur de copeaux en appliquant une force excessive alors que ses crochets sont verrouillés dans les trous des lames.

## UTILISATION

**MISE EN GARDE** : Avant de tondre, enlevez tous les bâtons et pierres de la zone à tondre. Enlevez également, à l'avance, les mauvaises herbes de la zone à tondre.



Fig.40

**MISE EN GARDE** : Gardez les mains à l'écart des lames.

**ATTENTION** : Autant que possible, évitez d'utiliser l'outil par temps très chaud. Lorsque vous utilisez l'outil, soyez attentif à votre condition physique.

## Tonte (pour taille-herbes)

Allumez l'outil après avoir réglé la hauteur de tonte, et tenez-le de sorte qu'il repose sur le sol par le bas. Déplacez doucement l'outil vers l'avant.

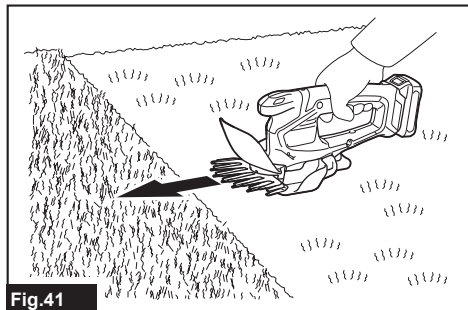


Fig.41

Lorsque vous taillez autour des bords de trottoir, des clôtures ou des arbres, déplacez l'outil le long des surfaces en question. Évitez que les lames ne viennent en contact avec elles.

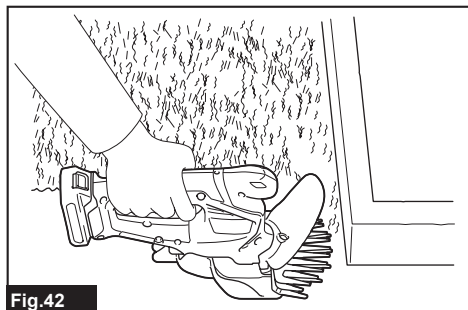


Fig.42

Lorsque vous taillez des jeunes pousses ou le feuillage d'un petit arbre, taillez petit à petit.

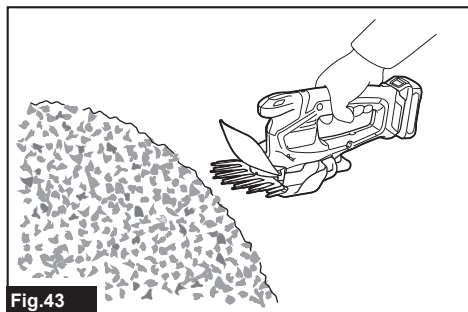


Fig.43

Coupez les grosses branches à la hauteur désirée à l'aide d'un ébrancheur avant d'utiliser cet outil.

**AVIS : N'utilisez pas l'outil d'une manière qui provoque l'arrêt du moteur ou le fait tourner très lentement.**

**AVIS : N'essayez pas de couper de grosses branches.**

**AVIS : Ne laissez pas les lames de cisaillement toucher le sol pendant l'utilisation. Les lames s'émousseraient et ne couperaient plus bien.**

**AVIS : Ne taillez pas les herbes mouillées ou le feuillage mouillé des petits arbres.**

## Coupe du gazon long

N'essayez pas de couper les herbes longues en une seule passe. Coupez plutôt le gazon en effectuant plusieurs passes. Laissez s'écouler un jour ou deux entre les passes, jusqu'à ce que le gazon soit uniformément court.

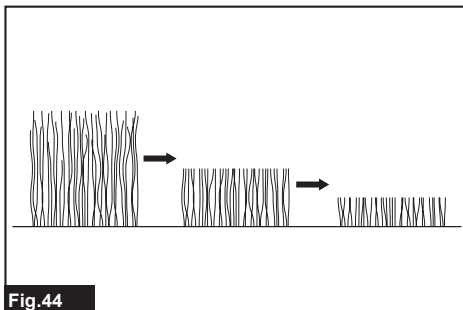


Fig.44

**NOTE :** Les herbes longues risquent de mourir si vous les coupez trop court en une seule passe.

## Taille (pour taille-haie)

**ATTENTION :** Prenez garde de toucher accidentellement une clôture métallique ou autre objet dur en taillant. Les lames risqueraient de se casser et de causer une blessure.

**ATTENTION :** Prenez garde de laisser les lames de cisaillement toucher le sol. L'outil risquerait de faire un bond vers l'arrière et de causer une blessure.

**ATTENTION :** Il est extrêmement dangereux de trop tendre les bras avec un taille-haie, et ce tout particulièrement sur une échelle. Ne montez jamais sur un objet branlant ou fragile pour effectuer le travail.

**AVIS : N'essayez pas de couper des branches d'un diamètre supérieur à 10 mm (3/8") avec l'outil.** Avant d'utiliser l'outil, coupez d'abord les branches 10 cm (4") plus bas que la hauteur de coupe, à l'aide d'un ébrancheur.

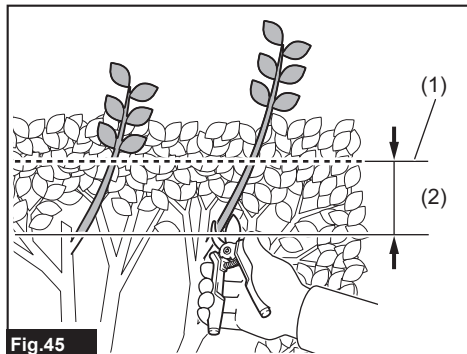


Fig.45

► (1) Hauteur de coupe (2) 10 cm (4")

**AVIS : Ne découpez pas en morceaux les arbres morts et objets durs similaires.** Cela risquerait d'endommager l'outil.

**AVIS : Ne taillez pas les herbes ou les mauvaises herbes pendant l'utilisation des lames de cisaillement.** Les lames risqueraient d'être enchevêtrées dans les herbes ou les mauvaises herbes.

Tenez l'outil d'une main, appuyez sur la gâchette tout en enfonçant le bouton de sécurité, puis déplacez l'outil vers l'avant.

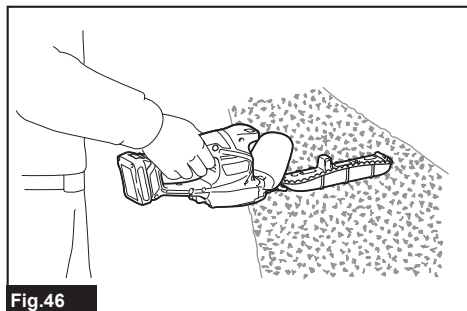


Fig.46

Pour une utilisation de base, inclinez les lames dans le sens de la taille et déplacez l'outil doucement et lentement à une vitesse de 3 à 4 secondes par mètre.

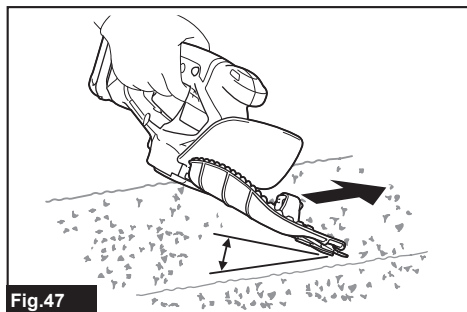


Fig.47

Il sera plus facile de couper le dessus de la haie de manière uniforme si vous tendez une ficelle à la hauteur désirée et coupez le long de cette ficelle.

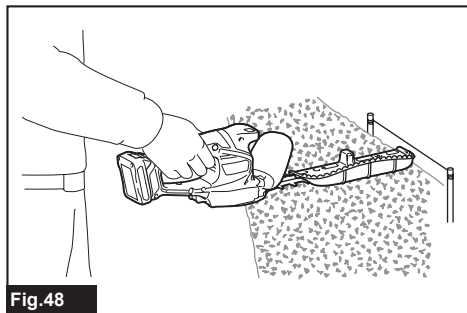


Fig.48

Lorsque le collecteur de copeaux est fixé aux lames, il rassemble les feuilles rejetées et facilite grandement le nettoyage par la suite.

Pour couper le côté de la haie de manière uniforme, coupez du bas vers le haut.

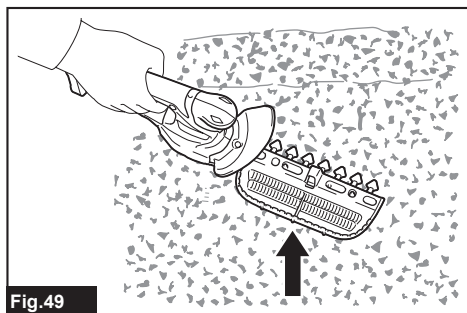


Fig.49

Lorsque vous taillez pour faire une forme ronde (taille d'un buis, d'un rhododendron, etc.), taillez de la racine vers le haut pour obtenir un beau résultat.

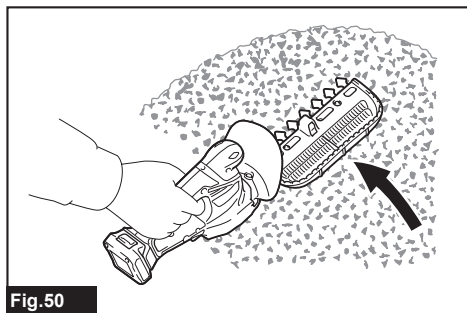


Fig.50

# ENTRETIEN

**⚠ ATTENTION :** Assurez-vous toujours que l'outil est hors tension et que la batterie est retirée avant d'y effectuer tout travail d'inspection ou d'entretien.

Pour maintenir la SÉCURITÉ et la FIABILITÉ du produit, les réparations et tout autre travail d'entretien ou de réglage doivent être effectués dans un centre de service après-vente autorisé ou une usine Makita, exclusivement avec des pièces de rechange Makita.

## Nettoyage de l'outil

Nettoyez l'outil en essuyant les poussières avec un linge sec ou trempé dans une eau savonneuse et essoré.

**AVIS :** N'utilisez jamais d'essence, de benzine, de solvant, d'alcool ou autres produits similaires. Une décoloration, une déformation ou la formation de fissures peuvent en découler.

## Entretien de la lame

Avant l'utilisation ou après chaque heure d'utilisation, appliquez une huile à faible viscosité (huile à machine ou huile lubrifiante en vaporisateur) sur les lames.

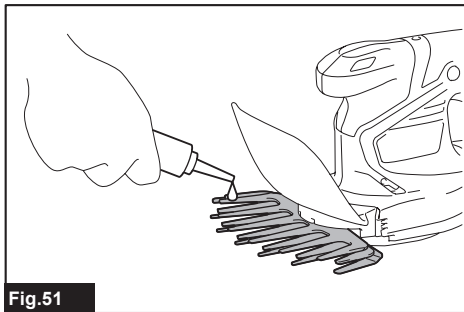


Fig.51

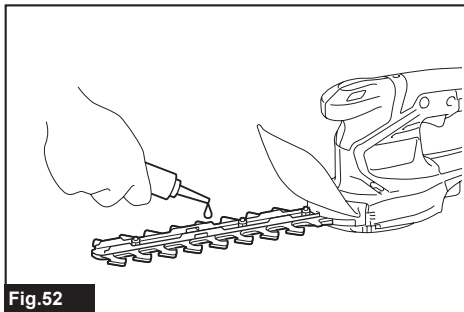


Fig.52

Après l'utilisation, enlevez les poussières des deux côtés des lames avec une brosse métallique, essuyez avec un linge puis appliquez l'huile à faible viscosité (huile à machine ou huile lubrifiante en vaporisateur) sur les lames.

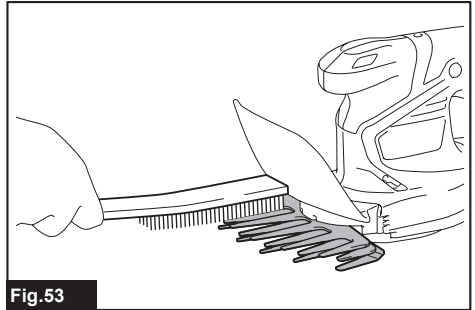


Fig.53

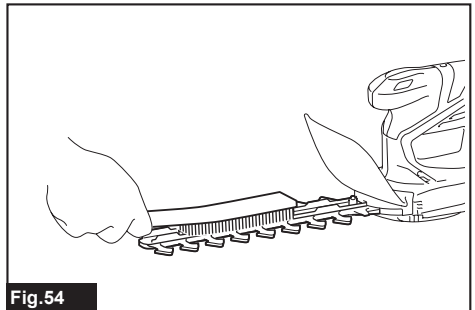


Fig.54

**AVIS :** Ne lavez pas les lames dans l'eau. Cela risquerait de causer de la rouille ou d'endommager l'outil.

**AVIS :** Les saletés et la corrosion causent une friction excessive sur la lame et réduisent la durée de fonctionnement par charge de batterie.

## Remisage

Le trou pour crochet au bas de l'outil est pratique pour accrocher l'outil à un clou ou à une vis sur le mur. Fixez le couvre-lames aux lames de cisaillement de sorte que les lames ne soient pas dénudées. Rangez l'outil hors de la portée des enfants. Rangez l'outil dans un emplacement non exposé à l'humidité ou à la pluie.

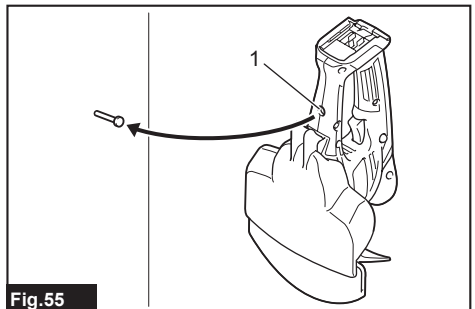


Fig.55

► 1. Trou

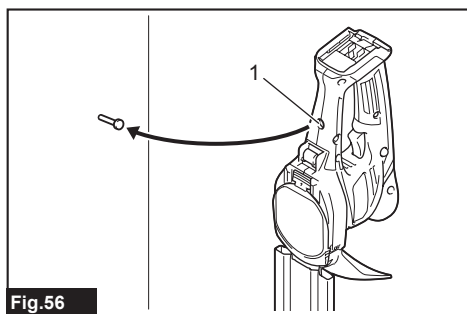


Fig.56

► 1. Trou

## ACCESSOIRES EN OPTION

**⚠ ATTENTION :** Ces accessoires ou pièces complémentaires sont recommandés pour l'utilisation avec l'outil Makita spécifié dans ce manuel. L'utilisation de tout autre accessoire ou pièce complémentaire peut comporter un risque de blessure. N'utilisez les accessoires ou pièces complémentaires qu'aux fins auxquelles ils ont été conçus.

Si vous désirez obtenir plus de détails sur ces accessoires, veuillez contacter le centre de service après-vente Makita le plus près.

- Lames taille-herbes
- Couvre-lame de cisaillement (pour taille-herbes)
- Collecteur d'herbes (pour taille-herbes)
- Longue poignée accessoire (pour taille-herbes)
- Lames taille-haie
- Couvre-lame de cisaillement (pour taille-haie)
- Collecteur de copeaux (pour taille-haie)
- Boîte de rangement
- Chargeur et batterie authentiques Makita

**NOTE :** Certains éléments de la liste peuvent être inclus avec l'outil comme accessoires standards. Ils peuvent varier suivant les pays.

## GARANTIE LIMITÉE MAKITA

Pour les conditions de garantie en vigueur qui s'appliquent à ce produit, veuillez vous reporter à la feuille de garantie en annexe. Si la feuille de garantie en annexe n'est pas disponible, reportez-vous aux détails de la garantie présentés sur le site Web de votre pays, ci-dessous.

États-Unis d'Amérique: [www.makitatools.com](http://www.makitatools.com)

Canada: [www.makita.ca](http://www.makita.ca)

Autres pays: [www.makita.com](http://www.makita.com)

## ESPECIFICACIONES

### Modelo UM600D con cuchilla de cizalla instalada para tijeras para hierba

Modelo:	UM600D
Ancho de corte	160 mm (6-5/16")
Carreras por minuto	2 500 cpm
Dimensiones (La x An x Al)	347 mm x 177 mm x 131 mm (13-5/8" x 7" x 5-1/8")
Tensión nominal	10,8 V c.c. - 12 V c.c. máx.
Peso neto	1,3 kg - 1,5 kg (2,8 lbs - 3,3 lbs)

### Modelo UH201D con cuchilla de cizalla instalada para cortasetos

Modelo:	UH201D
Longitud de la cuchilla	200 mm (7-7/8")
Carreras por minuto	2 500 cpm
Dimensiones (La x An x Al)	504 mm x 120 mm x 131 mm (19-7/8" x 4-3/4" x 5-1/8")
Tensión nominal	10,8 V c.c. - 12 V c.c. máx.
Peso neto	1,3 kg - 1,5 kg (2,8 lbs - 3,3 lbs)

- Debido a nuestro continuo programa de investigación y desarrollo, las especificaciones aquí incluidas están sujetas a cambio sin previo aviso.
- Las especificaciones pueden variar de país a país.
- El peso puede variar en función de los accesorios, incluido el cartucho de batería. En la tabla se muestra la combinación de peso más ligero y más pesado conforme al procedimiento 01/2014 de EPTA.

### Cartucho de batería y cargador aplicables

Cartucho de batería	BL1016 / BL1021B / BL1041B
Cargador	DC10SB / DC10WD / DC18RE

- Algunos de los cartuchos de batería y cargadores enumerados arriba podrían no estar disponibles dependiendo de su área de residencia.

**⚠ ADVERTENCIA:** Use únicamente los cartuchos de batería y los cargadores indicados arriba. El uso de cualquier otro cartucho de batería y cargador podría ocasionar una lesión y/o un incendio.

## ADVERTENCIAS DE SEGURIDAD

### Advertencias generales de seguridad para herramientas eléctricas

**⚠ ADVERTENCIA:** Lea todas las advertencias de seguridad e instrucciones. El no seguir las advertencias e instrucciones indicadas puede ocasionar una descarga eléctrica, un incendio y/o lesiones graves.

### Conserve todas las advertencias e instrucciones como referencia en el futuro.

En las advertencias, el término "herramienta eléctrica" se refiere a su herramienta eléctrica de funcionamiento con conexión a la red eléctrica (con cableado eléctrico) o herramienta eléctrica de funcionamiento a batería (inalámbrica).

#### Seguridad en el área de trabajo

1. **Mantenga el área de trabajo limpia y bien iluminada.** Las áreas oscuras o desordenadas son propensas a accidentes.
2. **No utilice las herramientas eléctricas en atmósferas explosivas, tal como en la presencia de líquidos, gases o polvo inflamables.** Las herramientas eléctricas crean chispas que pueden prender fuego al polvo o los humos.

3. **Mantenga a los niños y curiosos alejados mientras utiliza una herramienta eléctrica.** Las distracciones le pueden hacer perder el control.

#### Seguridad eléctrica

1. **Las clavijas de conexión de las herramientas eléctricas deberán encajar perfectamente en la toma de corriente. No modifique nunca la clavija de conexión de ninguna forma. No utilice ninguna clavija adaptadora con herramientas eléctricas que tengan conexión a tierra (puesta a tierra).** La utilización de clavijas no modificadas y que encajen perfectamente en la toma de corriente reducirá el riesgo de que se produzca una descarga eléctrica.
2. **Evite tocar con el cuerpo superficies conectadas a tierra o puestas a tierra tales como tubos, radiadores, cocinas y refrigeradores.** Si su cuerpo es puesto a tierra o conectado a tierra existirá un mayor riesgo de que sufra una descarga eléctrica.
3. **No exponga las herramientas eléctricas a la lluvia ni a condiciones húmedas.** La entrada de agua en una herramienta eléctrica aumentará el riesgo de que se produzca una descarga eléctrica.
4. **No maltrate el cable. Nunca utilice el cable para transportar, jalar o desconectar la herramienta eléctrica. Mantenga el cable alejado del calor, aceite, objetos cortantes o piezas móviles.** Los cables dañados o enredados aumentan el riesgo de sufrir una descarga eléctrica.
5. **Cuando utilice una herramienta eléctrica en exteriores, utilice un cable de extensión apropiado para uso en exteriores.** La utilización de un cable apropiado para uso en exteriores reducirá el riesgo de que se produzca una descarga eléctrica.
6. **Si no es posible evitar usar una herramienta eléctrica en condiciones húmedas, utilice un alimentador protegido con interruptor de circuito de falla a tierra (ICFT).** El uso de un ICFT reduce el riesgo de descarga eléctrica.

#### Seguridad personal

1. **Manténgase alerta, preste atención a lo que está haciendo y utilice su sentido común cuando opere una herramienta eléctrica. No utilice una herramienta eléctrica cuando esté cansado o bajo la influencia de drogas, alcohol o medicamentos.** Un momento de distracción mientras opera las herramientas eléctricas puede terminar en una lesión grave.
2. **Use equipo de protección personal. Póngase siempre protección para los ojos.** El equipo protector tal como máscara contra el polvo, zapatos de seguridad antiderrapantes, casco rígido y protección para oídos utilizado en las condiciones apropiadas reducirá el riesgo de lesiones.
3. **Impida el encendido accidental. Asegúrese de que el interruptor esté en la posición de apagado antes de conectar a la alimentación eléctrica y/o de colocar el cartucho de batería, así como al levantar o cargar la herramienta.** Cargar las herramientas eléctricas con su dedo en el interruptor o enchufarlas con el interruptor encendido hace que los accidentes sean comunes.

4. **Retire cualquier llave de ajuste o llave de apriete antes de encender la herramienta.** Una llave de ajuste o llave de apriete que haya sido dejada puesta en una parte giratoria de la herramienta eléctrica puede ocasionar alguna lesión.
5. **No utilice la herramienta donde no alcance. Mantenga los pies sobre suelo firme y el equilibrio en todo momento.** Esto permite un mejor control de la herramienta eléctrica en situaciones inesperadas.
6. **Use vestimenta apropiada. No use ropas sueltas ni joyas. Mantenga el cabello, la ropa y los guantes alejados de las piezas móviles.** Las prendas de vestir holgadas, las joyas y el cabello suelto podrían engancharse en las piezas móviles.
7. **Si dispone de dispositivos para la conexión de equipos de extracción y recolección de polvo, asegúrese de conectarlos y utilizarlos debidamente.** Hacer uso de la recolección de polvo puede reducir los riesgos relacionados con el polvo.

#### Mantenimiento y uso de la herramienta eléctrica

1. **No fuerce la herramienta eléctrica. Utilice la herramienta eléctrica correcta para su aplicación.** La herramienta eléctrica adecuada hará un mejor trabajo y de forma más segura a la velocidad para la que ha sido fabricada.
2. **No utilice la herramienta eléctrica si el interruptor no la enciende y apaga.** Cualquier herramienta eléctrica que no pueda ser controlada con el interruptor es peligrosa y debe ser reemplazada.
3. **Desconecte la clavija de la fuente de energía y/o la batería de la herramienta eléctrica antes de realizar ajustes, cambiar accesorios o guardar las herramientas eléctricas.** Dichas medidas de seguridad preventivas reducen el riesgo de que la herramienta se inicie accidentalmente.
4. **Guarde la herramienta eléctrica que no use fuera del alcance de los niños y no permita que las personas que no están familiarizadas con ella o con las instrucciones la operen.** Las herramientas eléctricas son peligrosas en manos de personas que no saben operarlas.
5. **Realice el mantenimiento a las herramientas eléctricas. Compruebe que no haya partes móviles desalineadas o estancadas, piezas rotas y cualquier otra condición que pueda afectar al funcionamiento de la herramienta eléctrica. Si la herramienta eléctrica está dañada, haga que se la reparen antes de utilizarla.** Muchos accidentes son ocasionados por herramientas eléctricas con mantenimiento inadecuado.
6. **Mantenga las herramientas de corte limpias y filosas.** Si recibe un mantenimiento adecuado y tiene los bordes afilados, es probable que la herramienta se atasque menos y sea más fácil controlarla.



7. **Utilice la herramienta eléctrica, los accesorios y las brocas de acuerdo con estas instrucciones, considerando las condiciones laborales y el trabajo a realizar.** Si utiliza la herramienta eléctrica para realizar operaciones distintas de las indicadas, podrá presentarse una situación peligrosa.

#### Uso y cuidado de la herramienta a batería

1. **Recargue sólo con el cargador especificado por el fabricante.** Un cargador que es adecuado para un solo tipo de batería puede generar riesgo de incendio al ser utilizado con otra batería.
2. **Utilice las herramientas eléctricas solamente con las baterías designadas específicamente para ellas.** La utilización de cualquier otra batería puede crear un riesgo de lesiones o incendio.
3. **Cuando no se esté usando la batería, manténgala alejada de otros objetos metálicos, como sujetapapeles (clips), monedas, llaves, clavos, tornillos u otros objetos pequeños de metal los cuales pueden actuar creando una conexión entre las terminales de la batería.** Originar un cortocircuito en las terminales puede causar quemaduras o incendios.
4. **En condiciones abusivas, podrá escapar líquido de la batería; evite tocarlo. Si lo toca accidentalmente, enjuague con agua. Si hay contacto del líquido con los ojos, busque asistencia médica.** Puede que el líquido expulsado de la batería cause irritación o quemaduras.
5. **No utilice una herramienta ni una batería que estén dañadas o hayan sido modificadas.** Las baterías dañadas o modificadas podrían ocasionar una situación inesperada provocando un incendio, explosión o riesgo de lesiones.
6. **No exponga la herramienta ni la batería al fuego ni a una temperatura excesiva.** La exposición al fuego o a una temperatura superior a los 130 °C podría causar una explosión.
7. **Siga todas las instrucciones para la carga y evite cargar la herramienta o la batería fuera del rango de temperatura especificado en las instrucciones.** Una carga inadecuada o a una temperatura fuera del rango especificado podría dañar la batería e incrementar el riesgo de incendio.

#### Servicio

1. **Haga que una persona calificada repare la herramienta eléctrica utilizando sólo piezas de repuesto idénticas.** Esto asegura que se mantenga la seguridad de la herramienta eléctrica.
2. **Siga las instrucciones para la lubricación y cambio de accesorios.**
3. **Mantenga las agarraderas secas, limpias y sin aceite o grasa.**
4. **No modifique ni intente reparar el aparato ni el paquete de baterías salvo como se indique en las instrucciones para el uso y cuidado.**

## Advertencias de seguridad para las tijeras inalámbricas para hierba

**⚠️ ADVERTENCIA:** Al utilizar aparatos eléctricos de jardinería, siempre deben tomarse en cuenta las precauciones básicas de seguridad a fin de reducir el riesgo de incendio, descarga eléctrica y lesiones personales, incluido lo siguiente:

### LEA TODAS LAS INSTRUCCIONES.

1. **Tenga presente que este aparato se encuentra siempre en condiciones de funcionamiento, ya que no es necesario conectarlo a una toma de corriente eléctrica.**
2. **No utilice los aparatos en atmósferas explosivas, tal como en la presencia de líquidos, gases o polvo inflamables.** Los aparatos crean chispas que pueden prender fuego al polvo o los humos.
3. **Evite los entornos peligrosos** - No utilice los aparatos en lugares húmedos o mojados.
4. **No utilice ni cargue el aparato bajo la lluvia o en lugares mojados.**
5. **Mantenga alejados a los niños** - Todos los espectadores deberán permanecer a cierta distancia del área de trabajo.
6. **Use una vestimenta adecuada** - Evite llevar puesta ropa holgada o alhajas. Éstas podrían engancharse en las piezas móviles. Cuando se trabaje en exteriores es recomendable usar guantes de hule y un calzado resistente. Lleve protección en el cabello para cubrirlo en caso de tenerlo largo.
7. **Utilice un equipo de seguridad. Use siempre protección para los ojos.** La máscara contra polvo, los zapatos de seguridad antiderrapantes, el casco rígido o la protección para los oídos deberán utilizarse bajo las condiciones apropiadas.
8. **Utilice el aparato correctamente** - Evite usar el aparato para otros trabajos que no sean para el cual está diseñado.
9. **Evite la puesta en marcha accidental** - No cargue el aparato con el dedo puesto en el interruptor. Asegúrese de que el interruptor se encuentre apagado antes de instalar el paquete de batería.
10. **Evite tocar las cuchillas o bordes de corte expuestos cuando levante o sostenga el aparato.**
11. **No fuerce el aparato** - Éste hará mejor el trabajo y el riesgo de lesiones será menos probable si se usa a la velocidad para la cual fue diseñado.
12. **Evite usar el aparato donde no alcance** - Pise sobre suelo firme y mantenga el equilibrio en todo momento.
13. **Manténgase alerta** - Preste atención a lo que está haciendo. Utilice el sentido común. No utilice el aparato cuando esté cansado.
14. **Almacene los aparatos que no utilice en interiores** - Cuando no se vayan a usar, los aparatos deberán ser almacenados en interiores en un lugar seco y elevado o cerrado con llave fuera del alcance de los niños.

15. **Dé un mantenimiento cuidadoso al aparato** - Mantenga el borde de corte afilado y limpio para lograr un desempeño óptimo y reducir así el riesgo de lesiones. Siga las instrucciones para la lubricación y el cambio de los accesorios. Inspeccione el cable del aparato periódicamente y en caso de presentar daños, llévelo a reparar a una instalación de servicio autorizada. Inspeccione los cables de extensión regularmente y reemplácelos en caso de estar dañados. Mantenga los mangos secos, limpios, y libres de aceite y grasa.
16. **Revise las piezas dañadas** - Antes de continuar usando el aparato, cualquier protector o pieza dañada deberán revisarse cuidadosamente para confirmar que puedan funcionar debidamente y realizar la función para la que fueron diseñados. Verifique la alineación de las piezas móviles, la unión de las mismas, roturas de las piezas, la instalación y cualquier otra condición que pueda afectar su funcionamiento. Cualquier protector o pieza dañada deberán ser debidamente reparados o reemplazados por un centro de servicio autorizado salvo que se especifique lo contrario en otra parte de este manual.
17. **Un aparato que funcione con baterías integradas o con un paquete de batería por separado deberá ser recargado solamente con el cargador especificado para dichas baterías.** Un cargador que sea adecuado para un tipo específico de paquete de batería puede generar un riesgo de incendio al usarse con un paquete de batería distinto.
18. **Utilice un aparato a batería solamente con el paquete de batería designado específicamente para ello.** El uso de cualquier otro tipo de baterías podría generar riesgo de incendio.
19. **Retire cualquier llave de ajuste o llave de apriete antes de encender el aparato.** Cualquier llave de apriete o de ajuste que se deje puesta en una pieza giratoria del aparato podría provocar lesiones personales.
20. **No utilice la herramienta eléctrica si el interruptor no la enciende ni la apaga.** Cualquier aparato que no pueda ser controlado con el interruptor es peligroso y deberá ser reparado.
21. **Utilice únicamente los accesorios recomendados por el fabricante de su modelo.** Los accesorios que puedan ser adecuados para cierto aparato podrían crear un riesgo de lesiones al ser utilizados en otro aparato.
22. **El servicio del aparato solamente deberá ser realizado por personal de reparaciones calificado.** El servicio o mantenimiento realizados por personal no calificado podría ocasionar un riesgo de lesiones.
23. **Cuando se dé servicio al aparato, utilice únicamente piezas de repuesto idénticas. Siga las instrucciones contenidas en la sección Mantenimiento de este manual.** El uso de piezas no autorizadas o el no seguir las instrucciones de mantenimiento podría crear riesgo de descarga eléctrica o lesiones.
24. **Mantenga las manos alejadas de las cuchillas.**
25. **Antes de cortar hierba, retire cualquier material extraño tales como rocas o varas largas del área de trabajo. Tenga cuidado de que ningún material extraño se quede atorado entre las cuchillas, de lo contrario las cuchillas podrían atascarse.** Si esto llegara a suceder, apague el aparato. Luego elimine la obstrucción de las cuchillas.
26. **Asegúrese de colocar la cubierta de las cuchillas cuando no las vaya a utilizar.**
27. **Si las cuchillas se dejan de mover a causa de objetos extraños atorados entre ellas durante la operación, apague la herramienta, extraiga el cartucho de batería y luego retire los objetos extraños usando herramientas tales como pinzas.** El retirar los objetos extraños con la mano podría ocasionar una lesión, debido a que las cuchillas pueden moverse al intentar retirarlas.

**⚠️ ADVERTENCIA: NO DEJE** que la comodidad o familiaridad con el producto (a base de utilizarlo repetidamente) evite que siga estrictamente las normas de seguridad para dicho producto. El **USO INCORRECTO** o el no seguir las normas de seguridad indicadas en este manual de instrucciones puede ocasionar lesiones graves.

### Advertencias de seguridad para el cortasetos inalámbrico

1. **Mantenga todas las partes del cuerpo alejadas de la cuchilla de corte. No retire ni sostenga el material que va a cortar cuando las cuchillas estén en movimiento. Las cuchillas siguen girando por inercia aún después de apagadas. Asegúrese de que el interruptor se encuentre apagado antes de despejar el material atascado.** Un momento de distracción mientras opera el cortasetos podría ocasionar lesiones personales graves.
2. **Sostenga el cortasetos por el mango cuando la cuchilla de corte se encuentre detenida.** La manipulación adecuada del cortasetos reducirá la posibilidad de lesiones personales ocasionadas por las cuchillas de corte.
3. **Sujete la herramienta solamente por las superficies de asimiento aisladas, ya que la cuchilla de corte podría entrar en contacto con cableado oculto.** Las cuchillas de corte que entren en contacto con un cable con corriente podrán hacer que la corriente circule por las piezas metálicas expuestas de la herramienta eléctrica pudiendo ocasionar una descarga eléctrica al operador.
4. **PELIGRO - Mantenga las manos alejadas de la cuchilla.** El contacto con la cuchilla podría ocasionar lesiones personales graves.
5. **No utilice el cortasetos bajo la lluvia o en lugares mojados ni en condiciones de mucha humedad.** El motor eléctrico no es a prueba de agua.
6. **Un usuario con experiencia deberá enseñar a los usuarios primerizos cómo manejar el cortasetos.**

7. **El cortasetos no deberá ser utilizado por niños ni por personas menores de 18 años.** Esta restricción podrá pasarse por alto para personas mayores de 16 años siempre que reciban la capacitación correspondiente bajo la supervisión de un experto.
8. **Utilice el cortasetos sólo si se encuentra en buena condición física.** Si está cansado, su atención se verá disminuida. Sea especialmente cuidadoso al término de una jornada laboral. Realice todo el trabajo tranquila y cuidadosamente. El usuario será responsable de todos los daños a terceras personas.
9. **Nunca utilice el cortasetos si está bajo la influencia de alcohol, drogas o algún medicamento.**
10. **Los guantes de trabajo hechos de piel gruesa forman parte del equipo básico del cortasetos y deberán usarse siempre que se trabaje con éste.** Utilice también zapatos resistentes con suelas antiderrapantes.
11. **Antes de comenzar el trabajo, revise el cortasetos para asegurarse de que esté en buen estado y en condiciones seguras de funcionamiento.** Asegúrese de que los protectores estén colocados correctamente. El cortasetos no deberá ser utilizado hasta que se encuentre totalmente ensamblado.
12. **Asegúrese de pisar firmemente antes de comenzar la operación.**
13. **Siempre que utilice la herramienta sosténgala firmemente.**
14. **No opere la herramienta sin carga innecesariamente.**
15. **Si la pieza de corte entra en contacto con alguna cerca u otro objeto duro, apague inmediatamente el motor y retire el cartucho de batería.** Verifique si la cortadora presenta algún daño, de ser así deberá ser reparada de inmediato.
16. **Siempre apague el cortasetos y retire el cartucho de batería antes de revisar la cortadora, enmendar fallas o retirar algún material atorado en la cortadora.**
17. **Apague el cortasetos y retire el cartucho de batería antes de realizar cualquier trabajo de mantenimiento.**
18. **Siempre que traslade el cortasetos a otro lugar, aun durante el trabajo, retire el cartucho de batería y coloque la cubierta de las cuchillas para cubrir las cuchillas de corte.** Nunca cargue ni transporte el cortasetos con la cortadora funcionando. Nunca sostenga la cortadora con sus manos.
19. **Limpie el cortasetos y en especial la cortadora después de usarlos y antes de almacenar el cortasetos por períodos prolongados.** Aplique una capa ligera de aceite a la cortadora y coloque la cubierta. La cubierta suministrada con la unidad puede colgarse en la pared, proporcionando una manera práctica y segura para almacenar el cortasetos.
20. **Almacene el cortasetos con la cubierta puesta en una habitación libre de humedad.** Manténgalo fuera del alcance de los niños. Nunca almacene el cortasetos en exteriores.
21. **Nunca apunte las cuchillas de cizalla hacia usted ni hacia otras personas.**
22. **Si las cuchillas se dejan de mover a causa de objetos extraños atorados entre ellas durante la operación, apague la herramienta, extraiga el cartucho de batería y luego retire los objetos extraños usando herramientas tales como pinzas.** El retirar los objetos extraños con la mano podría ocasionar una lesión, debido a que las cuchillas pueden moverse al intentar retirarlas.
23. **Evite los entornos peligrosos.** No utilice la herramienta en lugares húmedos o mojados ni la esponja a la lluvia. El agua que ingrese a la herramienta incrementará el riesgo de descarga eléctrica.
24. **No arroje la(s) batería(s) al fuego.** La celda podría explotar. Consulte los códigos locales para ver si hay instrucciones especiales relacionadas con la disposición.
25. **No abra ni dañe la(s) batería(s).** Los electrolitos liberados son corrosivos y pueden ocasionar daños en los ojos o la piel. Estos pueden ser tóxicos si se llegan a tragar.
26. **No cargue la batería bajo la lluvia ni en lugares mojados.**
27. **Antes de operar la herramienta, revise los setos y arbustos para ver que no haya objetos extraños, tales como cercas de alambre o cableado oculto.**

## GUARDE ESTAS INSTRUCCIONES.

**⚠️ ADVERTENCIA:** NO DEJE que la comodidad o familiaridad con el producto (a base de utilizarlo repetidamente) evite que siga estrictamente las normas de seguridad para dicho producto. El USO INCORRECTO o el no seguir las normas de seguridad indicadas en este manual de instrucciones puede ocasionar lesiones graves.

### Símbolos

A continuación se muestran los símbolos utilizados para la herramienta.

v	volts o voltios
— ---	corriente directa o continua
n	velocidad especificada
n <sub>o</sub>	velocidad sin carga
... /min r/min	revoluciones o alternaciones por minuto, frecuencia de rotación

## Instrucciones importantes de seguridad para el cartucho de batería

1. Antes de utilizar el cartucho de batería, lea todas las instrucciones e indicaciones de precaución en el (1) el cargador de batería, (2) la batería, y (3) el producto con el que se utiliza la batería.
2. No desarme ni modifique el cartucho de batería. Podría ocurrir un incendio, calor excesivo o una explosión.
3. Si el tiempo de operación se ha acortado en exceso, deje de operar de inmediato. Podría correrse el riesgo de sobrecalentamiento, posibles quemaduras e incluso explosión.
4. En caso de que ingresen electrolitos en sus ojos, enjuáguelos bien con agua limpia y consulte de inmediato a un médico. Esto podría ocasionar pérdida de visión.
5. Evite cortocircuitar el cartucho de batería:
  - (1) No toque las terminales con ningún material conductor.
  - (2) Evite guardar el cartucho de batería en un cajón junto con otros objetos metálicos, tales como clavos, monedas, etc.
  - (3) No esponga el cartucho de batería al agua o la lluvia.

Un cortocircuito en la batería puede causar un flujo grande de corriente, sobrecalentamiento, posibles quemaduras e incluso una descompostura.
6. No guarde ni utilice la herramienta y el cartucho de batería en lugares donde la temperatura pueda alcanzar o exceder los 50 °C (122 °F).
7. Nunca incinere el cartucho de batería incluso en el caso de que esté dañado seriamente o ya no sirva en absoluto. El cartucho de batería puede explotar si se tira al fuego.
8. No clave, corte, aplaste, lance o deje caer el cartucho de batería, ni golpee un objeto sólido contra el cartucho de batería. Dicha acción podría resultar en un incendio, calor excesivo o en una explosión.
9. No use una batería dañada.
10. Las baterías de ión de litio están sujetas a los requisitos reglamentarios en materia de bienes peligrosos.

Para el transporte comercial, por ej., mediante terceros o agentes de transporte, se deben tomar en cuenta los requisitos especiales relativos al empaque y el etiquetado.

Para efectuar los preparativos del artículo que se va a enviar, se requiere consultar a un experto en materiales peligrosos. Si es posible, consulte además otras regulaciones nacionales más detalladas.

Pegue o cubra con cinta adhesiva los contactos abiertos y empaque la batería de manera que ésta no pueda moverse dentro del paquete.
11. Para deshacerse del cartucho de batería, sáquelo de la herramienta y deséchelo en un lugar seguro. Siga las regulaciones locales relacionadas al desecho de las baterías.

12. Utilice las baterías únicamente con los productos especificados por Makita. Instalar las baterías en productos que no cumplan con los requisitos podría ocasionar un incendio, un calentamiento excesivo, una explosión o una fuga de electrolito.
13. Si no se utiliza la herramienta por un periodo largo, debe extraerse la batería de la herramienta.
14. El cartucho de batería podría absorber calor durante y después de su uso, lo que ocasionaría quemaduras o quemaduras a baja temperatura. Tenga cuidado con la manipulación de los cartuchos de batería que estén calientes.
15. No toque el terminal de la herramienta inmediatamente después de su uso, ya que el mismo podría estar lo suficientemente caliente como para provocar quemaduras.
16. No permita que las rebabas, el polvo o la tierra queden atrapados en los terminales, orificios y ranuras del cartucho de batería. Podría provocar calentamiento, incendio, explosión y mal funcionamiento de la herramienta o del cartucho de batería, lo que resultaría en quemaduras o lesiones personales.
17. No utilice el cartucho de batería cerca de cables eléctricos de alto voltaje, a menos que la herramienta sea compatible con el uso cercano a estos cables eléctricos de alto voltaje. Esto podría ocasionar una avería o descompostura de la herramienta o del cartucho de batería.
18. Mantenga la batería alejada de los niños.

## GUARDE ESTAS INSTRUCCIONES.

**⚠PRECAUCIÓN:** Utilice únicamente baterías originales de Makita. El uso de baterías no originales de Makita, o de baterías alteradas, puede ocasionar que las baterías exploten causando un incendio, lesiones personales y daños. Asimismo, esto invalidará la garantía de Makita para la herramienta y el cargador Makita.

## Consejos para alargar al máximo la vida útil de la batería

1. Cargue el cartucho de batería antes de que se descargue completamente. Pare siempre la operación y cargue el cartucho de batería cuando note menos potencia en la herramienta.
2. No cargue nunca un cartucho de batería que esté completamente cargado. La sobrecarga acortará la vida de servicio de la batería.
3. Cargue el cartucho de batería a una temperatura ambiente de 10 °C - 40 °C (50 °F - 104 °F). Si un cartucho de batería está caliente, déjelo enfriar antes de cargarlo.
4. Cuando no utilice el cartucho de batería, sáquelo de la herramienta o del cargador.

## DESCRIPCIÓN DEL FUNCIONAMIENTO

**⚠️ PRECAUCIÓN:** Asegúrese siempre de que la herramienta esté apagada y el cartucho de batería haya sido extraído antes de realizar cualquier ajuste o comprobación en la herramienta.

### Uso de la herramienta como cortasetos inalámbrico/tijeras inalámbricas para hierba

#### Para el modelo UM600D

Esta herramienta puede ser utilizada como cortasetos inalámbrico mediante la instalación de cuchillas de cizalla para cortasetos (accesorio opcional).

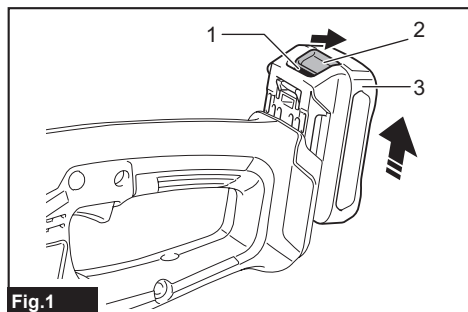
#### Para el modelo UH201D

Esta herramienta puede ser utilizada como tijeras inalámbricas para hierba mediante la instalación de cuchillas de cizalla para tijeras para hierba (accesorio opcional).

### Instalación o extracción del cartucho de batería

**⚠️ PRECAUCIÓN:** Apague siempre la herramienta antes de colocar o quitar el cartucho de batería.

**⚠️ PRECAUCIÓN:** Sujete la herramienta y el cartucho de la batería con firmeza al colocar o quitar el cartucho de batería. Si no se sujeta con firmeza la herramienta y el cartucho de batería, puede ocasionar que se resbalen de sus manos causando daños a la herramienta y al cartucho de batería, así como lesiones a la persona.



► 1. Indicador rojo 2. Botón 3. Cartucho de batería

Para quitar el cartucho de batería, deslícelo de la herramienta mientras desliza el botón sobre la parte delantera del cartucho.

Para instalar el cartucho de batería, alinee la lengüeta sobre el cartucho de batería con la ranura en la carcasa y deslícela hasta su lugar. Insértelo por completo hasta que se fije en su lugar con un pequeño clic. Si puede ver el indicador rojo como se muestra en la ilustración, este no ha quedado asegurado por completo.

**⚠️ PRECAUCIÓN:** Introduzca siempre completamente el cartucho de batería hasta que el indicador rojo no pueda verse. Si no, podría accidentalmente salirse de la herramienta y caer al suelo causando una lesión a usted o alguien a su alrededor.

**⚠️ PRECAUCIÓN:** No instale el cartucho de batería a la fuerza. Si el cartucho no se desliza al interior fácilmente, se debe a que no está siendo insertado correctamente.

### Indicación de la capacidad restante de la batería

*Únicamente para cartuchos de batería con el indicador*

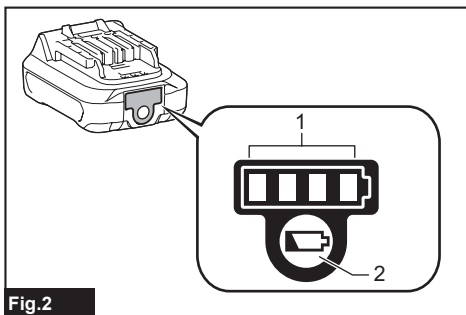


Fig.2

► 1. Luces indicadoras 2. Botón de verificación

Oprima el botón de verificación en el cartucho de la batería para que indique la capacidad restante de la batería. Las luces indicadoras se iluminarán por algunos segundos.

Luces indicadoras		Capacidad restante
Iluminadas	Apagado	
■ ■ ■ ■		75% a 100%
■ ■ ■ □		50% a 75%
■ ■ □ □		25% a 50%
■ □ □ □		0% a 25%

**NOTA:** Dependiendo de las condiciones de uso y la temperatura ambiente, la indicación podrá diferir ligeramente de la capacidad real.

## Sistema de protección para la herramienta/batería

La herramienta está equipada con un sistema de protección de la herramienta/batería. Este sistema corta en forma automática el suministro de energía al motor para prolongar la vida útil de la herramienta y la batería. La herramienta se detendrá automáticamente durante la operación si la herramienta o la batería se someten a una de las siguientes condiciones:

### Protección contra sobrecarga

Cuando la batería se esté usando de una manera que cause que consuma una cantidad de corriente inusualmente alta, la herramienta se detendrá automáticamente. En este caso, apague la herramienta y detenga la aplicación que causó que la herramienta se sobrecargara. Luego encienda la herramienta para volver a ponerla en marcha.

### Protección contra sobrecalentamiento

Cuando la herramienta o la batería se sobrecalienten, la herramienta se detendrá automáticamente y la lámpara parpadeará. En este caso, permita que la herramienta y la batería se enfríen antes de volver a encender la herramienta.

### Protección en caso de sobredescarga

Cuando la capacidad de la batería no sea suficiente, la herramienta se detendrá automáticamente. Si enciende la herramienta, el motor volverá a funcionar pero se detendrá al poco tiempo. En este caso, extraiga la batería de la herramienta y cárguela.

## Accionamiento del interruptor

**⚠ ADVERTENCIA:** Antes de insertar el cartucho de batería en la herramienta, compruebe siempre y cerciórese de que el gatillo interruptor se acciona debidamente y que vuelve a la posición "OFF" (apagado) cuando lo suelta.

**⚠ ADVERTENCIA:** Por su seguridad, esta herramienta está equipada con un botón de desbloqueo para prevenir que la herramienta se active accidentalmente. Nunca use la herramienta si se pone en marcha al jalar el gatillo interruptor sin haber oprimido el botón de desbloqueo. Solicite la reparación en el centro de servicio Makita de su localidad.

**⚠ ADVERTENCIA:** Nunca deshabilite la función de bloqueo ni cubra con cinta el botón de desbloqueo.

**AVISO:** No jale con fuerza el gatillo interruptor sin oprimir el botón de desbloqueo. El interruptor podría averiarse.

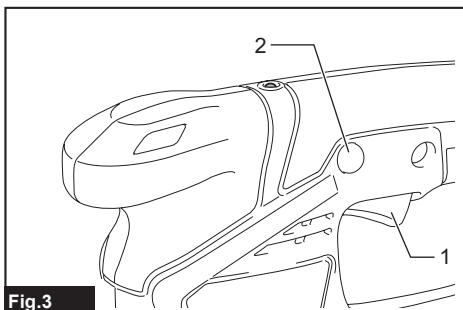


Fig.3

► 1. Gatillo interruptor 2. Botón de desbloqueo

Para evitar que el gatillo interruptor sea jalado accidentalmente, se proporciona un botón de desbloqueo.

Para arrancar la herramienta, oprima el botón de desbloqueo y jale el gatillo interruptor. Suelte el gatillo interruptor para parar la herramienta. El botón de desbloqueo puede oprimirse ya sea del lado derecho o izquierdo.

## Luz indicadora

La luz indicadora parpadeará o se encenderá cuando la capacidad restante de la batería sea baja o se haya agotado. La luz indicadora también se encenderá cuando la herramienta se haya sobrecargado.

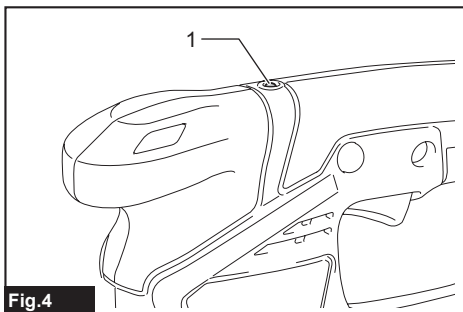


Fig.4

► 1. Luz indicadora

### Estado de la luz indicadora y medida a tomar

Luz indicadora	Estado	Medida a tomar
La luz roja parpadeara.	La capacidad restante de la batería es baja.	Cargue la batería.
La luz roja se enciende. *	La herramienta se ha detenido debido a que la capacidad restante de la batería se ha agotado.	Cargue la batería.
	La herramienta se ha detenido debido a una sobrecarga.	Apague la herramienta.

\* El momento en el que la luz indicadora se enciende puede variar dependiendo de la temperatura en el área de trabajo y las condiciones del cartucho de batería.



## Ajuste de la altura del cizallado (para tijeras para hierba)

**⚠PRECAUCIÓN:** Cuando cambie la altura del cizallado, asegúrese de colocar la cubierta de las cuchillas y tenga cuidado de que sus dedos no queden atrapados entre la herramienta y el colector de hierba.

La altura del cizallado se puede ajustar en tres niveles (15 mm (9/16"), 20 mm (13/16") y 25 mm (1")) cambiando la posición fija del colector de hierba. La altura del cizallado sin el colector de hierba es de aproximadamente 10 mm (3/8").

1. Deslice el colector de hierba hacia la parte delantera de la herramienta.

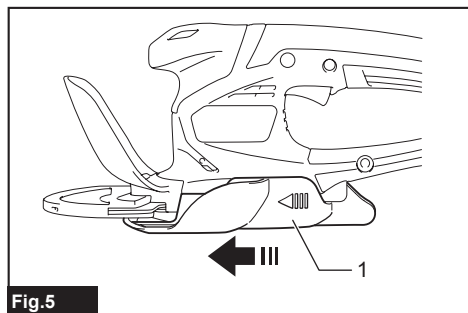


Fig.5

- 1. Colector de hierba

2. Cambie la posición fija del colector de hierba moviéndolo en la dirección de la flecha.

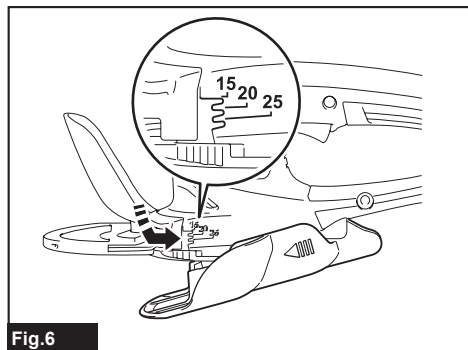


Fig.6

**NOTA:** El valor de la altura del cizallado es una referencia. La altura real del cizallado puede variar dependiendo de la condición del césped o del suelo.

**NOTA:** Haga un cizallado de prueba en un lugar menos prominente para obtener la altura deseada.

## MONTAJE

**⚠PRECAUCIÓN:** Asegúrese siempre de que la herramienta esté apagada y el cartucho de batería haya sido extraído antes de realizar cualquier trabajo en la misma.

**⚠PRECAUCIÓN:** Siempre utilice guantes al reemplazar las cuchillas de cizalla y coloque la cubierta de las cuchillas de manera que sus manos y cara no hagan contacto directo con las cuchillas.

**AVISO:** Cuando reemplace las cuchillas de cizalla no elimine la grasa del engranaje y de la manivela.

## Instalación o extracción de la cubierta de las cuchillas para las tijeras para hierba

**⚠PRECAUCIÓN:** Tenga cuidado de no tocar las cuchillas al instalar o extraer la cubierta de las cuchillas.

Para extraer la cubierta de las cuchillas, júela ligeramente y luego deslícela hacia los lados. Para instalar la cubierta de las cuchillas, siga los pasos en orden inverso.

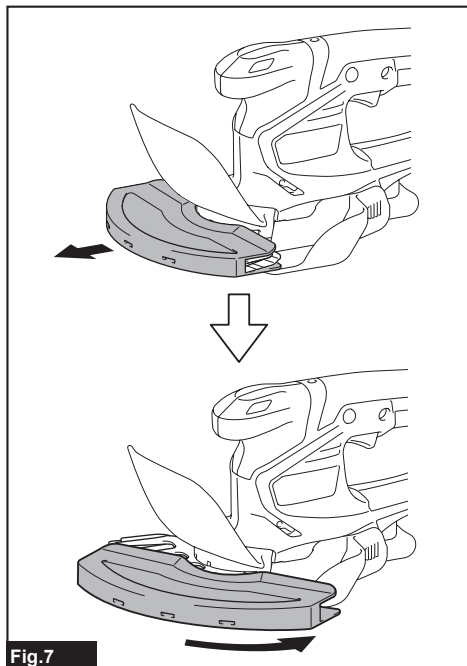


Fig.7

## Instalación o extracción del colector de hierba

**⚠ PRECAUCIÓN:** Al instalar o extraer el colector de hierba, asegúrese de colocar la cubierta de las cuchillas y tenga cuidado de que sus dedos no queden atrapados entre la herramienta y el colector de hierba.

### Extracción del colector de hierba

1. Libere las protuberancias en el colector de hierba de las ranuras en la herramienta deslizando el colector de hierba hacia la parte delantera de la herramienta.

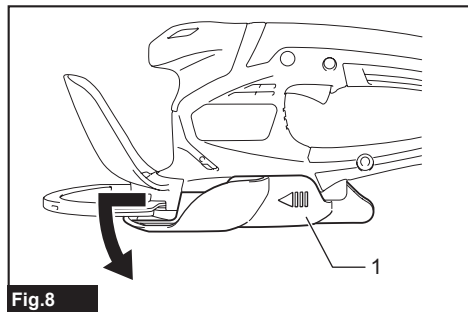


Fig.8

- 1. Colector de hierba

2. Libere la bisagra del colector de hierba de la herramienta.

### Instalación del colector de hierba

1. Embone la bisagra del colector de hierba en la ranura de la herramienta.

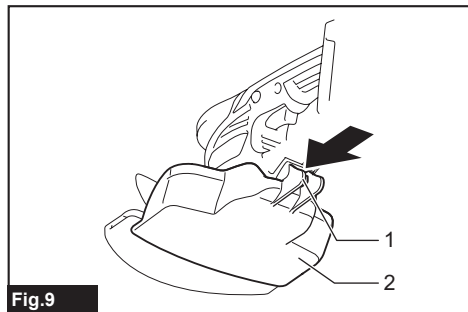


Fig.9

- 1. Bisagra 2. Colector de hierba

2. Alinee las protuberancias en el colector de hierba con las ranuras en la herramienta deslizando el colector de hierba hacia la parte delantera de la herramienta y desplazándolo en la dirección de la flecha.

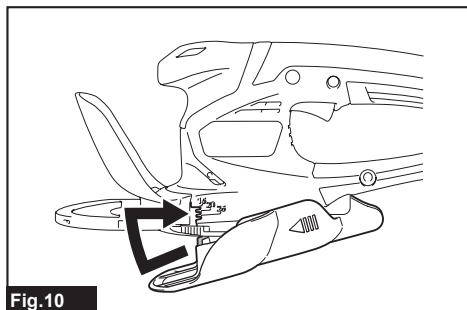


Fig.10

**AVISO:** No coloque a la fuerza la bisagra del colector de hierba en la herramienta después de alinear las protuberancias en el colector de hierba con las ranuras en la herramienta.

## Instalación o extracción de las cuchillas de cizalla para las tijeras para hierba

**AVISO:** Si las piezas, además de las cuchillas de cizalla, como la manivela están desgastadas, pida a los centros de servicio autorizados de Makita las piezas de reemplazo o su reparación.

### Extracción de las cuchillas de cizalla

1. Retire el colector de hierba y coloque la herramienta de cabeza.

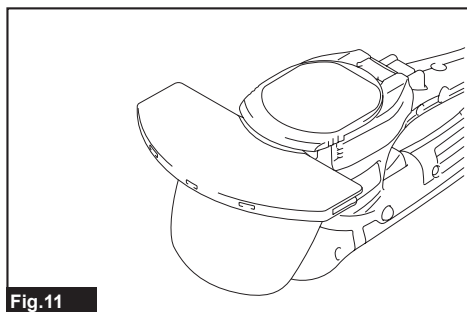
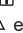

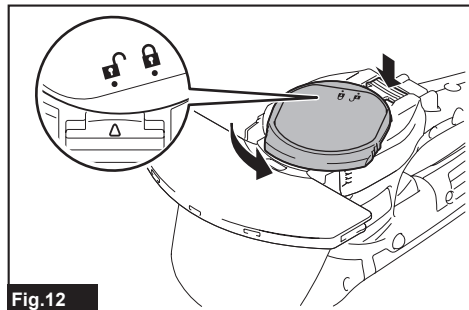


Fig.11

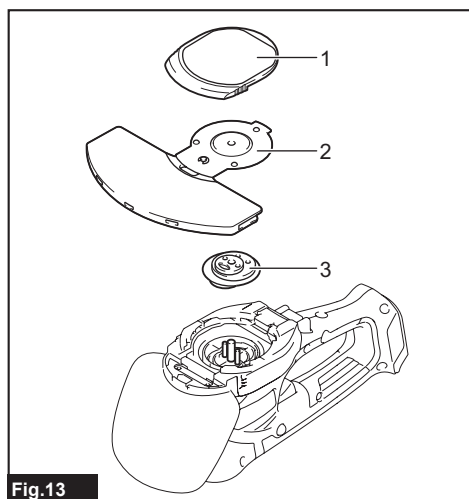


2. Mientras oprime la palanca de bloqueo, gire la subcubierta en sentido inverso al de las manecillas del reloj hasta que el símbolo  en la subcubierta quede alineado con el símbolo  en la palanca de bloqueo.



**Fig.12**

3. Extraiga la subcubierta, las cuchillas de cizalla y la manivela.

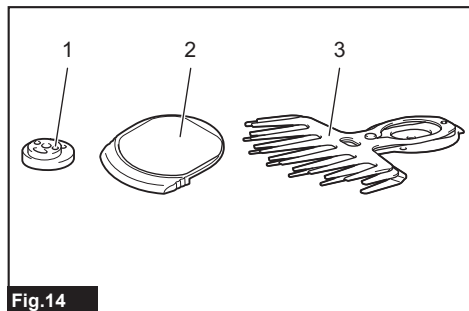


**Fig.13**

► 1. Subcubierta 2. Cuchillas de tijeras para hierba 3. Manivela

## Instalación de las cuchillas de tijeras para hierba

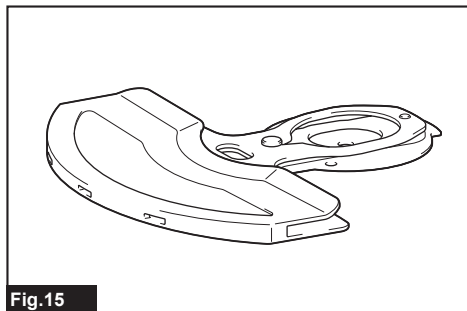
1. Tenga listas la manivela, la subcubierta y las cuchillas de tijeras para hierba nuevas.



**Fig.14**

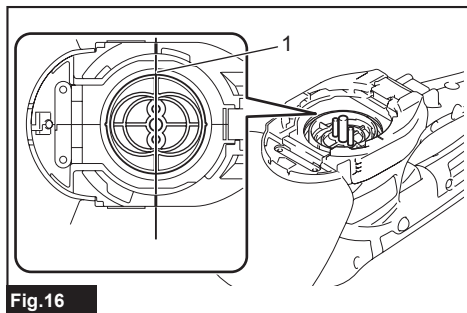
► 1. Manivela 2. Subcubierta 3. Cuchillas de tijeras para hierba

2. Retire la cubierta de las cuchillas de tijeras para hierba viejas, y luego colóquela en las nuevas.



**Fig.15**

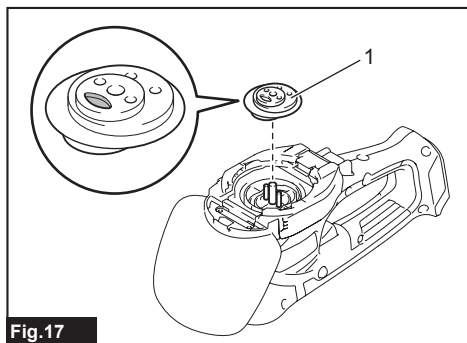
3. Ajuste las tres clavijas de manera que queden alineadas en la línea de alineación.



**Fig.16**

► 1. Línea de alineación

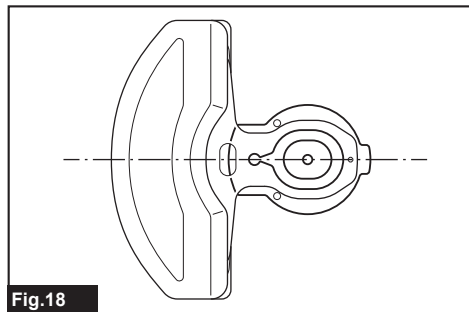
4. Aplique una pequeña cantidad de grasa a la periferia de la manivela. Instale la manivela en las clavijas con las partes redondas pequeñas y grandes orientadas hacia arriba.



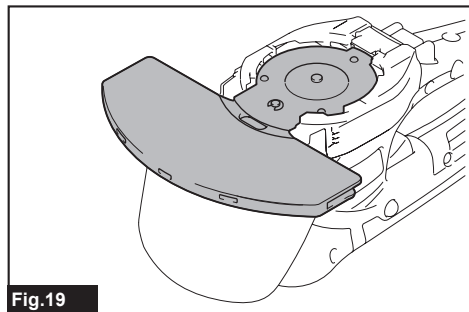
**Fig.17**

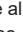

► 1. Manivela

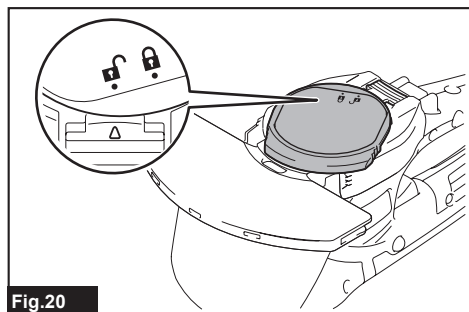
5. Ajuste las cuchillas y la placa de la base de manera que el orificio en la placa de la base y las dos protuberancias en las cuchillas queden alineados.





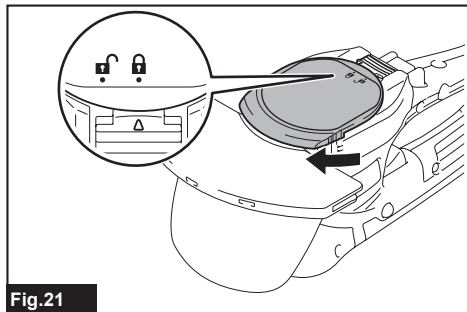
6. Coloque de cabeza las cuchillas de cizalla e instálelas de manera que las clavijas en la herramienta encajen en el orificio en la placa de la base. Asegúrese de que las cuchillas de cizalla queden fijadas firmemente en su lugar.



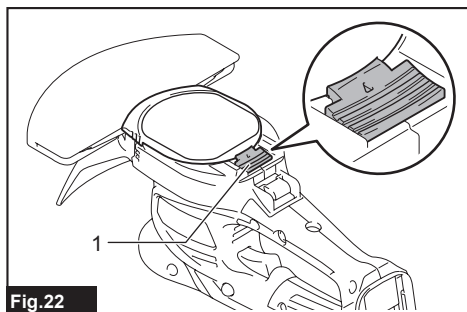
7. Coloque la subcubierta de manera que el símbolo  en la subcubierta quede alineado con el símbolo  en la palanca de bloqueo.



8. Mientras presiona la subcubierta, gírela en el sentido de las manecillas del reloj hasta que el símbolo  en la subcubierta quede alineado con el símbolo  en la palanca de bloqueo.



9. Asegúrese de que la palanca de bloqueo encaje en la ranura en la subcubierta.



- ▶ 1. Palanca de bloqueo

**⚠PRECAUCIÓN:** Nunca utilice la herramienta sin haber instalado la subcubierta.

10. Retire la cubierta de las cuchillas y luego encienda la herramienta para verificar que funcione correctamente.

**AVISO:** Si las cuchillas de cizalla no funcionan correctamente es porque las cuchillas no están bien embonadas en la manivela. Extraiga las cuchillas y vuelva a instalarlas.

## Instalación o extracción de las cuchillas de cizalla para el cortasetos

**⚠ PRECAUCIÓN:** Coloque la cubierta de las cuchillas antes de extraer o instalar las cuchillas de cizalla.

**AVISO:** Si las piezas, además de las cuchillas de cizalla, como la manivela están desgastadas, pida a los centros de servicio autorizados de Makita las piezas de reemplazo o su reparación.

### Extracción de las cuchillas de cizalla

1. Coloque la herramienta de cabeza.

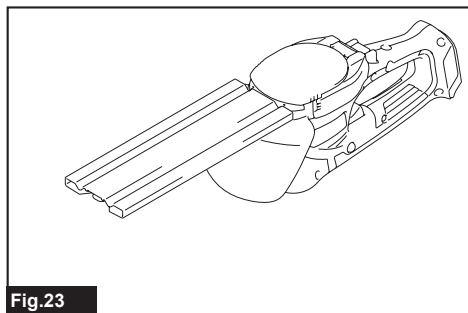

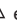


Fig.23

2. Mientras oprime la palanca de bloqueo, gire la subcubierta en sentido inverso al de las manecillas del reloj hasta que el símbolo  en la subcubierta quede alineado con el símbolo  en la palanca de bloqueo.

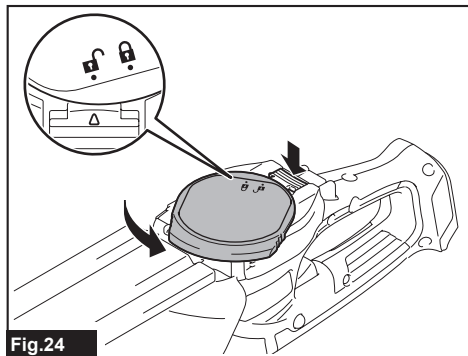


Fig.24

3. Retire la subcubierta.

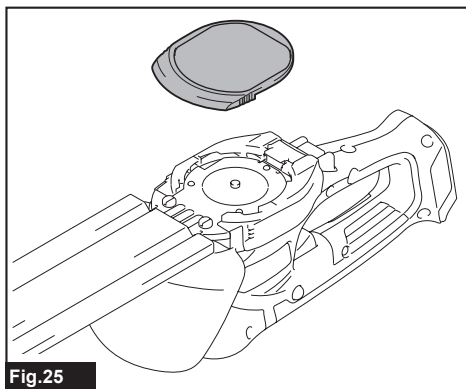


Fig.25

4. Afloje los dos tornillos con un destornillador y extraiga las cuchillas de cizalla.

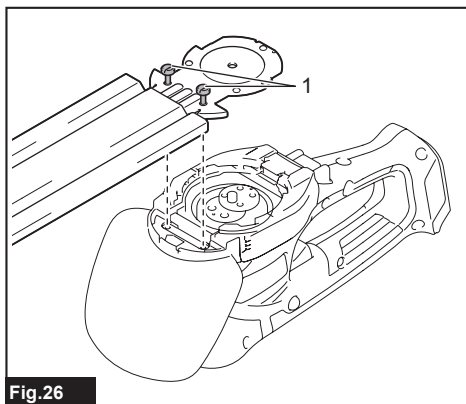


Fig.26

- 1. Tornillos

**NOTA:** Las cuchillas de cizalla pueden ser extraídas sin retirar los tornillos.

5. Retire la manivela de las cuchillas de cizalla.

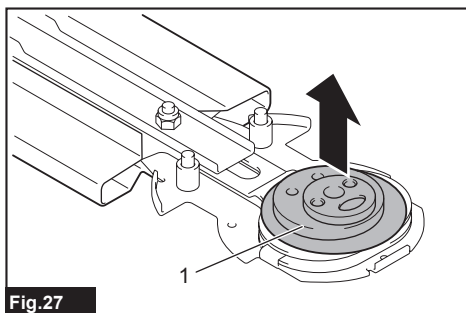


Fig.27

- 1. Manivela

**NOTA:** La manivela puede permanecer en la herramienta.

Coloque la cubierta de las cuchillas de cizalla extraídas, póngalas en el estuche y luego guárdelas.

## Instalación de las cuchillas cortasetos

1. Tenga listas la manivela, la subcubierta y las cuchillas cortasetos nuevas.

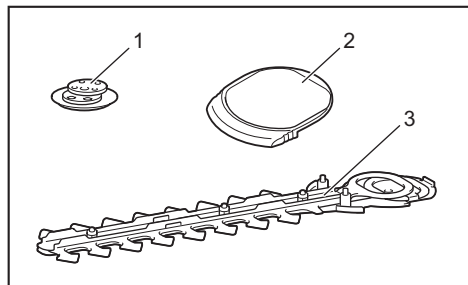


Fig.28

► 1. Manivela 2. Subcubierta 3. Cuchillas cortasetos

2. Coloque la cubierta de las cuchillas en las cuchillas cortasetos.

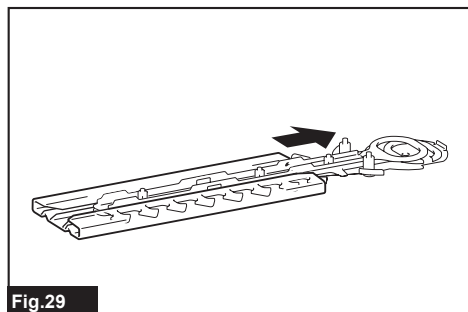


Fig.29

3. Ajuste las tres clavijas de manera que queden alineadas en la línea de alineación.

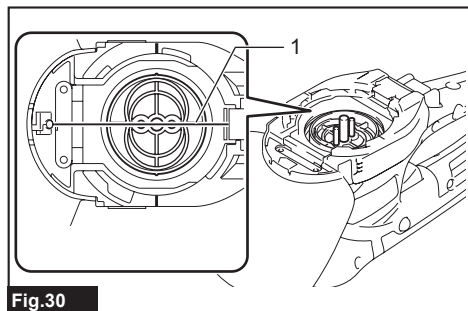


Fig.30

► 1. Línea de alineación

4. Aplique una pequeña cantidad de grasa a la periferia de la manivela. Instale la manivela en las clavijas con las partes redondas pequeñas y grandes orientadas hacia abajo.

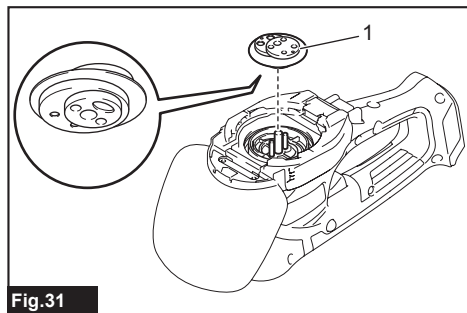


Fig.31

► 1. Manivela

5. Deslice las cuchillas de cizalla de manera que el orificio en la placa de la base quede colocado en el centro de los anillos de las cuchillas.

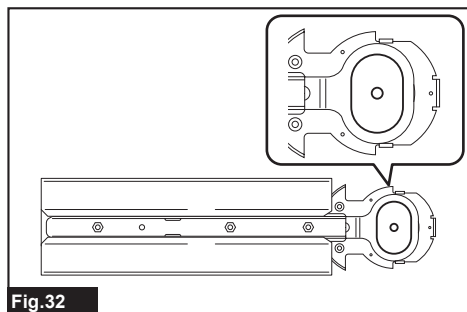


Fig.32

6. Coloque boca abajo de cabeza las cuchillas de cizalla e instálelas de manera que la clavija en la herramienta encaje en el orificio en las cuchillas de cizalla. Inserte la barreta de la placa de la base en la ranura en la herramienta. Asegúrese de que las cuchillas de cizalla queden fijadas firmemente en su lugar.

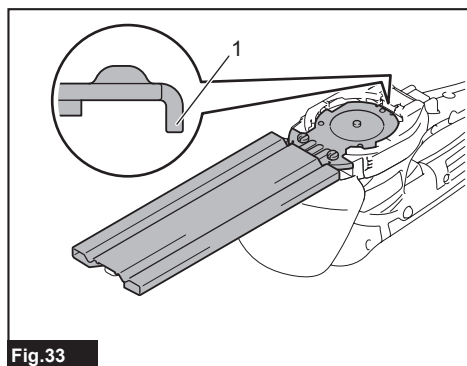


Fig.33

► 1. Barreta

7. Apriete los dos tornillos firmemente con un atornillador.

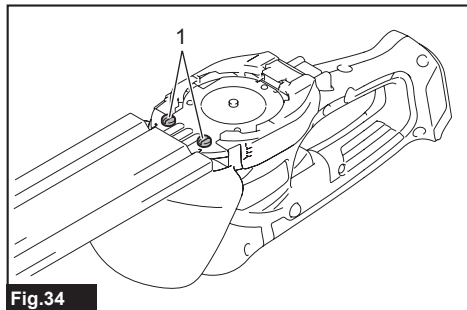




Fig. 34

► 1. Tornillos

8. Coloque la subcubierta de manera que el símbolo  en la subcubierta quede alineado con el símbolo  en la palanca de bloqueo.

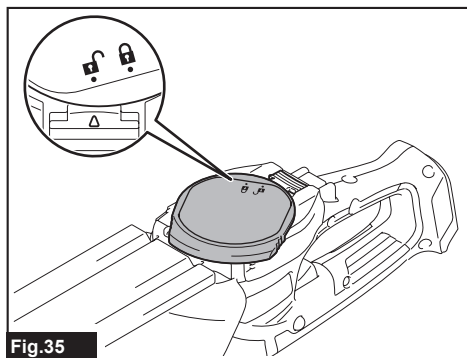

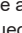


Fig. 35

9. Mientras presiona la subcubierta, gírela en el sentido de las manecillas del reloj hasta que el símbolo  en la subcubierta quede alineado con el símbolo  en la palanca de bloqueo.

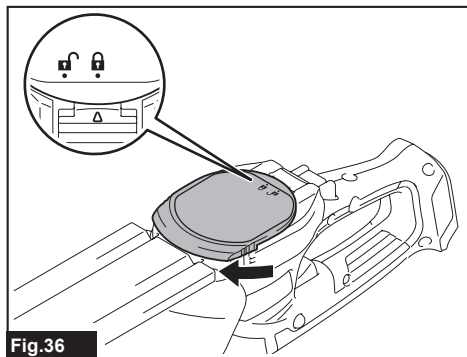


Fig. 36

10. Asegúrese de que la palanca de bloqueo encaje en la ranura en la subcubierta.

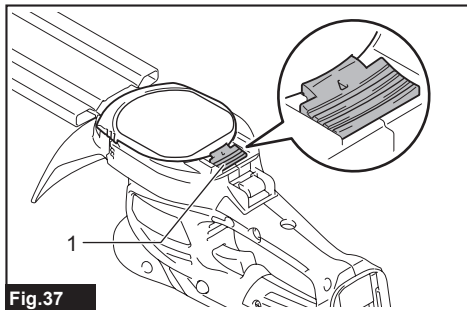


Fig. 37

► 1. Palanca de bloqueo

**PRECAUCIÓN:** Nunca utilice la herramienta sin haber instalado la subcubierta.

11. Retire la cubierta de las cuchillas y luego encienda la herramienta para verificar que funcione correctamente.

**AVISO:** Si las cuchillas de cizalla no funcionan correctamente es porque las cuchillas no están bien embonadas en la manivela. Extraiga las cuchillas y vuelva a instalarlas.

## Instalación o extracción del colector de residuos

*Accesorio opcional*

**PRECAUCIÓN:** Siempre utilice guantes al instalar o extraer el colector de residuos y coloque la cubierta de las cuchillas de manera que sus manos y cara no hagan contacto directo con las cuchillas.

El colector de residuos recolecta los restos de hojas y facilita la limpieza más adelante. Éste puede instalarse en ambos lados de la herramienta.

Para instalar el colector de residuos, presiónelo contra las cuchillas de cizalla de manera que los ganchos encajen en los orificios de las cuchillas de cizalla.

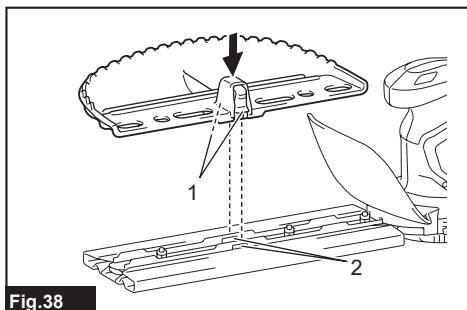


Fig. 38

► 1. Ganchos 2. Orificios

Para extraer el colector de residuos, presione las palancas en ambos lados para liberar los ganchos.

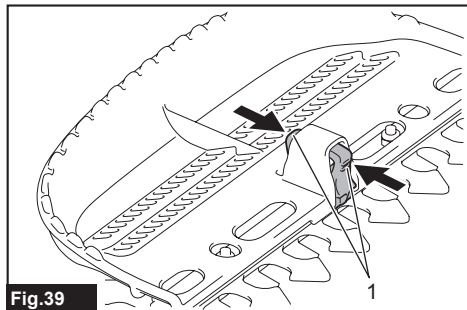


Fig.39

► 1. Palancas

**AVISO:** Nunca intente extraer el colector de residuos aplicando una fuerza excesiva con sus ganchos asegurados en los orificios de las cuchillas.

## OPERACIÓN

**⚠ ADVERTENCIA:** Antes del cizallado, retire las varas y piedras del área de cizallado. Adicionalmente, retire previamente toda la maleza del área de cizallado.



Fig.40

**⚠ ADVERTENCIA:** Mantenga las manos alejadas de las cuchillas.

**⚠ PRECAUCIÓN:** Si es posible, evite utilizar la herramienta cuando haga demasiado calor. Durante la operación de la herramienta, vigile su condición física.

## Cizallado (para tijeras para hierba)

Encienda la herramienta después de ajustar la altura del cizallado y sosténgala de manera que su parte inferior descanse sobre el suelo. Desplace la herramienta hacia adelante suavemente.

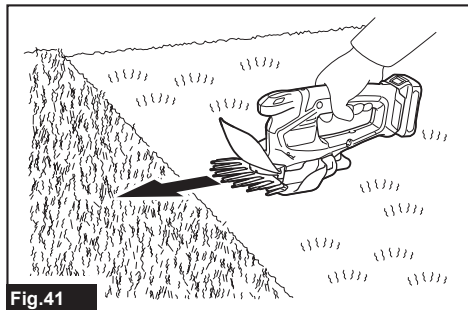


Fig.41

Cuando pade alrededor de cunetas, cercas o árboles, desplace la herramienta a lo largo de éstos. Tenga cuidado de que las cuchillas no los toquen.

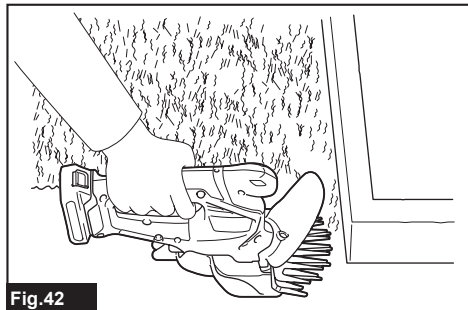


Fig.42

Cuando pade los brotes o el follaje de un árbol pequeño, hágalo poco a poco.

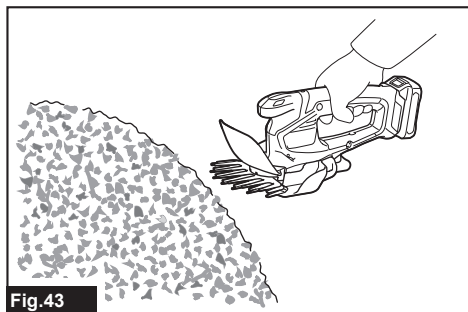


Fig.43

Pode las ramas largas a la altura deseada con algún cortador de ramas antes de usar esta herramienta.

**AVISO:** No utilice la herramienta en ninguna forma que ocasione que el motor se detenga o rote extremadamente lento.

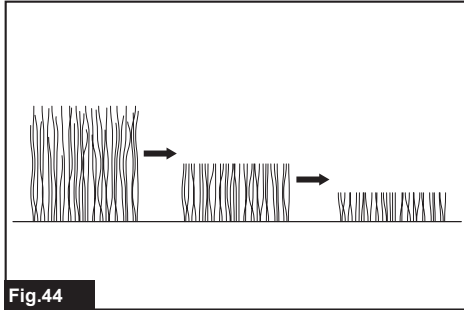
**AVISO:** No intente cortar ramas gruesas.

**AVISO:** No permita que las cuchillas de cizalla hagan contacto con el suelo durante la operación. Las cuchillas se desafilarán ocasionando un desempeño deficiente.

**AVISO:** No pade hierba ni follaje de árboles pequeños en caso de estar mojados.

## Podado de césped largo

No intente cortar pasto largo de golpe. Procure hacerlo en diferentes pasos. Deje pasar uno o dos días entre cada corte hasta lograr que el césped quede recortado de manera uniforme.



**NOTA:** El intentar recortar pasto largo en una sola pasada podría hacer que éste muriera.

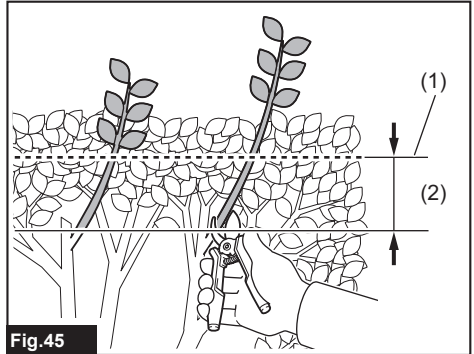
## Podado (para cortasetos)

**PRECAUCIÓN:** Tenga cuidado de no tocar accidentalmente una cerca de metal u otros objetos duros durante el podado. Las cuchillas podrían romperse y ocasionar una lesión.

**PRECAUCIÓN:** Tenga cuidado de no permitir que las cuchillas de cizalla hagan contacto con el suelo. La herramienta podría retroceder y ocasionar una lesión.

**PRECAUCIÓN:** Trabajar con el cortasetos en un lugar donde no alcance, particularmente desde una escalera, es extremadamente peligroso. No trabaje mientras esté parado sobre una superficie tambaleante o poco firme.

**AVISO:** No intente usar la herramienta para cortar ramas con un diámetro mayor a 10 mm (3/8"). Corte las ramas a 10 cm (4") menos que la altura de corte usando algún cortador de ramas antes de usar la herramienta.

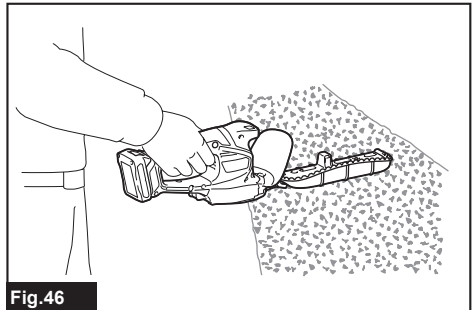


► (1) Altura de corte (2) 10 cm (4")

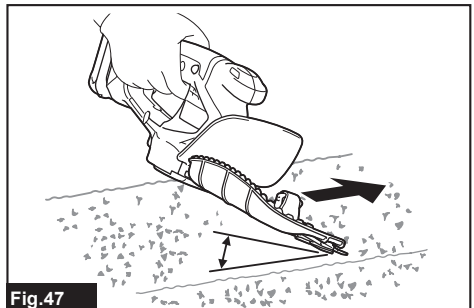
**AVISO:** No corte árboles muertos ni otros objetos duros similares. El hacerlo podría dañar la herramienta.

**AVISO:** No pade hierba ni maleza mientras esté usando las cuchillas de cizalla. Las cuchillas podrían quedar atrapadas en la hierba o maleza.

Sostenga la herramienta con una mano, jale el gatillo interruptor mientras oprime el botón de desbloqueo, y luego desplácela hacia adelante.



Para la operación básica, incline las cuchillas hacia la dirección del podado y desplácelas lentamente y con calma a un ritmo de velocidad de 3 a 4 segundos por metro.



El atar un cordón a la altura deseada y podar a lo largo de éste puede ayudarlo a cortar la parte superior de un seto de manera uniforme.

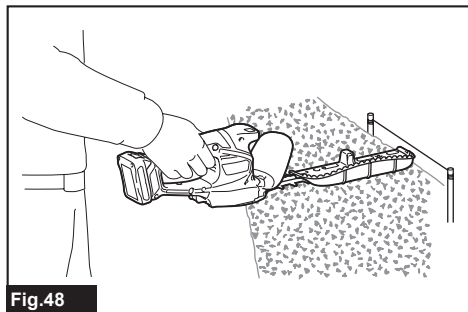


Fig.48

Tener colocado el colector de residuos en las cuchillas permite que éste recolecte los restos de hojas y facilita la limpieza más adelante.

Para cortar la parte lateral de un seto de manera uniforme, corte de abajo hacia arriba.

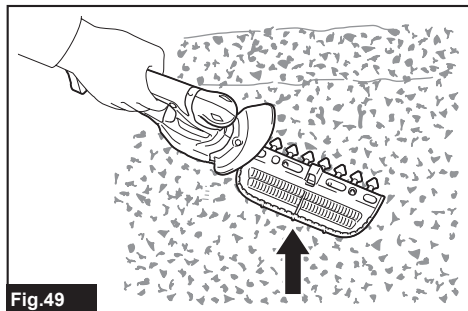


Fig.49

Cuando desee hacer formas redondas al podar (podar setos de boj o rododendro, etc.), corte de la raíz a la parte superior para lograr un resultado excelente.

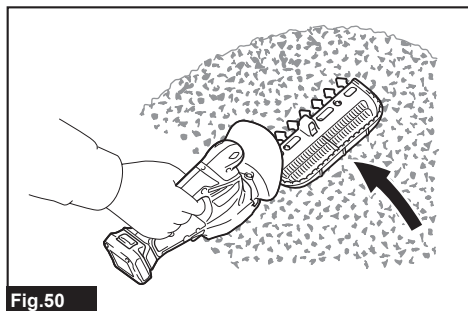


Fig.50

## MANTENIMIENTO

**⚠PRECAUCIÓN:** Asegúrese siempre de que la herramienta esté apagada y el cartucho de batería extraído antes de intentar realizar una inspección o mantenimiento.

Para mantener la SEGURIDAD y FIABILIDAD del producto, las reparaciones, y cualquier otra tarea de mantenimiento o ajuste deberán ser realizadas en centros de servicio autorizados o de fábrica Makita, empleando siempre repuestos Makita.

### Limpeza de la herramienta

Quite el polvo de la herramienta con un paño seco o humedezca un paño en agua y jabón y exprímalo para limpiarla.

**AVISO:** Nunca use gasolina, bencina, diluyente (tíner), alcohol o sustancias similares. Puede que esto ocasione grietas o descoloramiento.

### Mantenimiento de las cuchillas

Antes de la operación o una vez por hora durante la operación, aplique aceite de baja viscosidad (aceite para máquinas o aceite lubricante en aerosol) a las cuchillas.

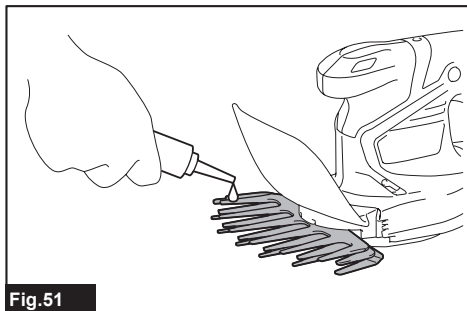


Fig.51

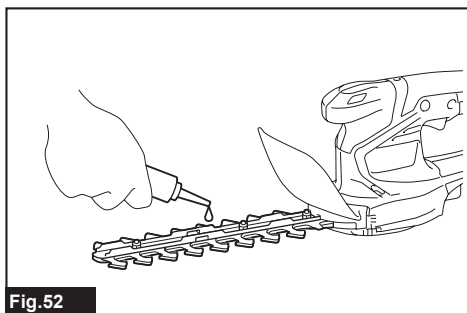


Fig.52



Después de la operación, elimine el polvo en ambos lados de las cuchillas con un cepillo de alambre, limpie con un paño y luego aplique aceite de baja viscosidad (aceite para máquinas o aceite lubricante en aerosol) a las cuchillas.

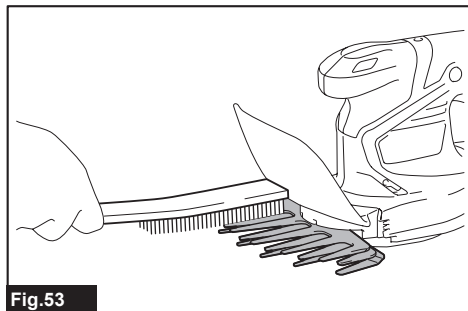


Fig.53

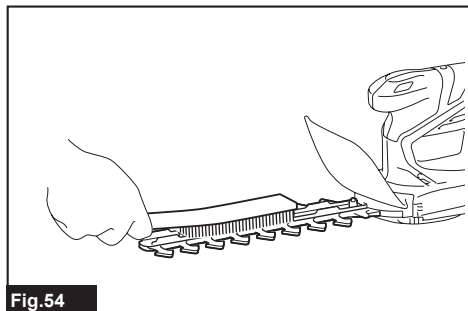


Fig.54

**AVISO:** No lave las cuchillas con agua. Esto podría ocasionar oxidación o daños a la herramienta.

**AVISO:** La suciedad y la corrosión causan una fricción excesiva de las cuchillas y acorta el tiempo de operación en cada carga de batería.

## Almacenamiento

El orificio para el gancho en la parte inferior de la herramienta resulta útil para colgar la herramienta en la pared usando un clavo o tornillo.

Coloque la cubierta de las cuchillas de cizalla de manera que las cuchillas no queden expuestas. Almacene la herramienta fuera del alcance de los niños. Almacene la herramienta en un lugar que no esté expuesto a la humedad o la lluvia.

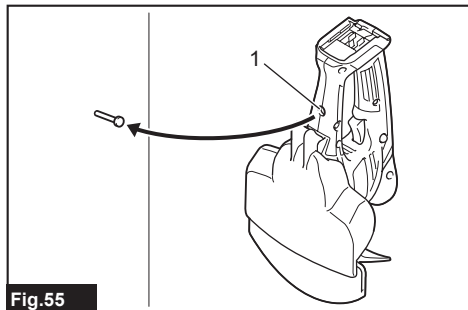


Fig.55

► 1. Orificio

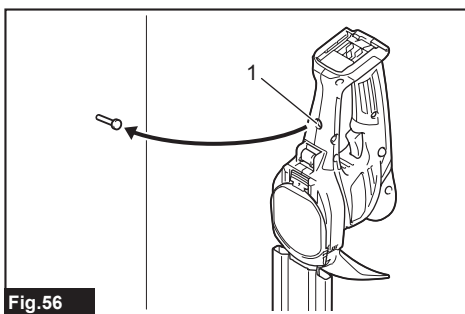


Fig.56

► 1. Orificio

## ACCESORIOS OPCIONALES

**⚠PRECAUCIÓN:** Estos accesorios o aditamentos están recomendados para utilizarse con su herramienta Makita especificada en este manual. El empleo de cualquier otro accesorio o aditamento puede conllevar el riesgo de lesiones personales. Utilice los accesorios o aditamentos solamente para su fin establecido.

Si necesita cualquier ayuda para más detalles en relación con estos accesorios, pregunte a su centro de servicio local Makita.

- Cuchillas de tijeras para hierba
- Cubierta de las cuchillas de cizalla (para uso con las tijeras para hierba)
- Colector de hierba (para uso con las tijeras para hierba)
- Accesorio de mango largo (para uso con las tijeras para hierba)
- Cuchillas cortasetos
- Cubierta de las cuchillas de cizalla (para uso con el cortasetos)
- Colector de residuos (para uso con el cortasetos)
- Estuche
- Batería y cargador originales de Makita

**NOTA:** Algunos de los artículos en la lista pueden incluirse en el paquete de la herramienta como accesorios estándar. Éstos pueden variar de país a país.

## GARANTÍA LIMITADA DE MAKITA

### Ésta Garantía no aplica para México

Consulte la hoja de la garantía anexa para ver los términos más vigentes de la garantía aplicable a este producto. En caso de no disponer de esta hoja de garantía anexa, consulte los detalles sobre la garantía descritos en el sitio web de su país respectivo indicado a continuación.

Estados Unidos de América: [www.makitatools.com](http://www.makitatools.com)

Canadá: [www.makita.ca](http://www.makita.ca)

Otros países: [www.makita.com](http://www.makita.com)





< USA only >

# WARNING

Some dust created by power sanding, sawing, grinding, drilling, and other construction activities contains chemicals known to the State of California to cause cancer, birth defects or other reproductive harm. Some examples of these chemicals are:

- lead from lead-based paints,
- crystalline silica from bricks and cement and other masonry products, and
- arsenic and chromium from chemically-treated lumber.

Your risk from these exposures varies, depending on how often you do this type of work. To reduce your exposure to these chemicals: work in a well ventilated area, and work with approved safety equipment, such as those dust masks that are specially designed to filter out microscopic particles.

< Sólo en los Estados Unidos >

# ADVERTENCIA

Algunos polvos creados por el lijado, aserrado, esmerilado, taladrado y otras actividades de la construcción contienen sustancias químicas reconocidas por el Estado de California como causantes de cáncer, defectos de nacimiento y otros peligros de reproducción. Algunos ejemplos de estos productos químicos son:

- plomo de pinturas a base de plomo,
- sílice cristalino de ladrillos y cemento y otros productos de albañilería, y
- arsénico y cromo de maderas tratadas químicamente.

El riesgo al que se expone varía, dependiendo de la frecuencia con la que realice este tipo de trabajo. Para reducir la exposición a estos productos químicos: trabaje en un área bien ventilada y póngase el equipo de seguridad indicado, tal como las máscaras contra polvo que están especialmente diseñadas para filtrar partículas microscópicas.

**Makita Corporation**

3-11-8, Sumiyoshi-cho,  
Anjo, Aichi 446-8502 Japan

[www.makita.com](http://www.makita.com)

885549D934  
UM600D-2  
EN, FRCA, ESMX  
20230607